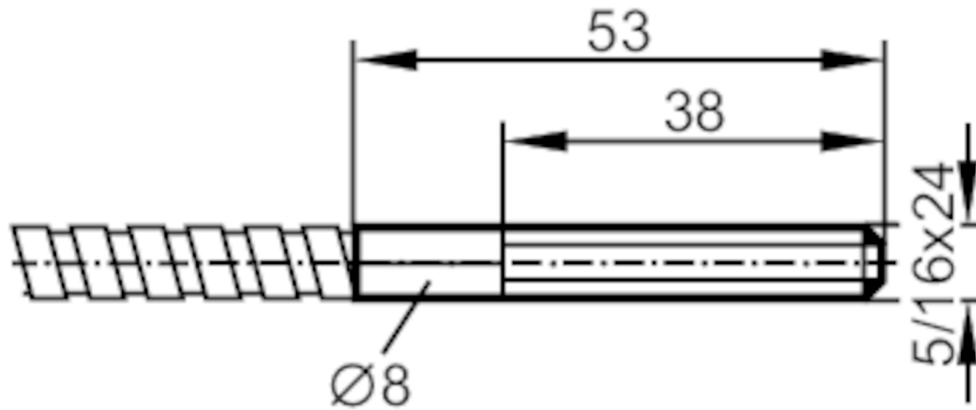


E20822



Fibre optic diffuse reflection sensor

FT-50-V-V-M5/16



Application	
Function principle	Diffuse reflection sensor
Detection zone	
Range with fibre optic amplifier type	OBF; ODF; OMF
OBF	
Range fibre optics [mm]	150
ODF	
Range fibre optics [mm]	1
OMF	
Range fibre optics [mm]	175
Operating conditions	
Ambient temperature [°C]	-58...315

E20822



Fibre optic diffuse reflection sensor

FT-50-V-V-M5/16

Mechanical data	
Weight [g]	126.5
Version of sensing head	straight
Total length [mm]	900
Min. bending radius [mm]	19
Fibre arrangement	⓪
Fibre material	glass
Fibre head material	stainless steel (1.4305 / 303)
Fibre sheath material	stainless steel (1.4305 / 303)
Accessories	
Items supplied	hexagon nuts: 2
	clamping rings: 2
	O-rings: 2
Remarks	
Pack quantity	1 pcs.