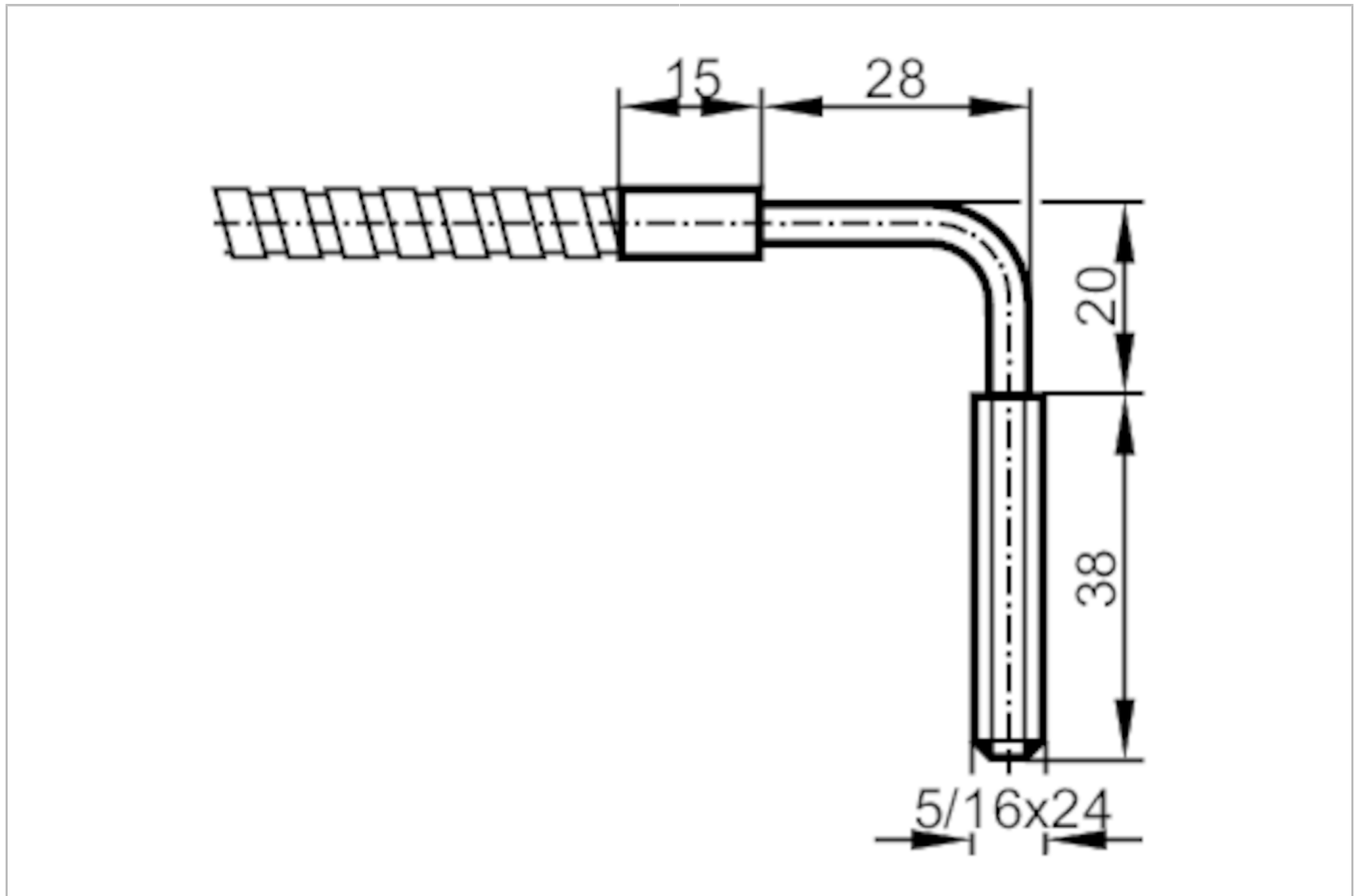


# E20825



## Fibre optic through-beam sensor

FE-50-V-V-M5/16/R



Application	
Function principle	Through-beam sensor
Detection zone	
Range with fibre optic amplifier type	OBF; ODF; OMF
OBF	
Range of fibre optics [mm]	1000
ODF	
Range of fibre optics [mm]	4
OMF	
Range of fibre optics [mm]	800
Operating conditions	
Ambient temperature [°C]	-58...315

# E20825



## Fibre optic through-beam sensor

FE-50-V-V-M5/16/R

Mechanical data	
Weight [g]	204
Version of sensing head	angled
Total length [mm]	900
Min. bending radius [mm]	19
Fibre arrangement	
Fibre material	glass
Fibre head material	stainless steel (1.4305 / 303)
Fibre sheath material	stainless steel (1.4305 / 303)
Accessories	
Items supplied	hexagon nuts: 4 x M8
	clamping rings: 2
	O-rings: 2
Remarks	
Pack quantity	1 pcs.