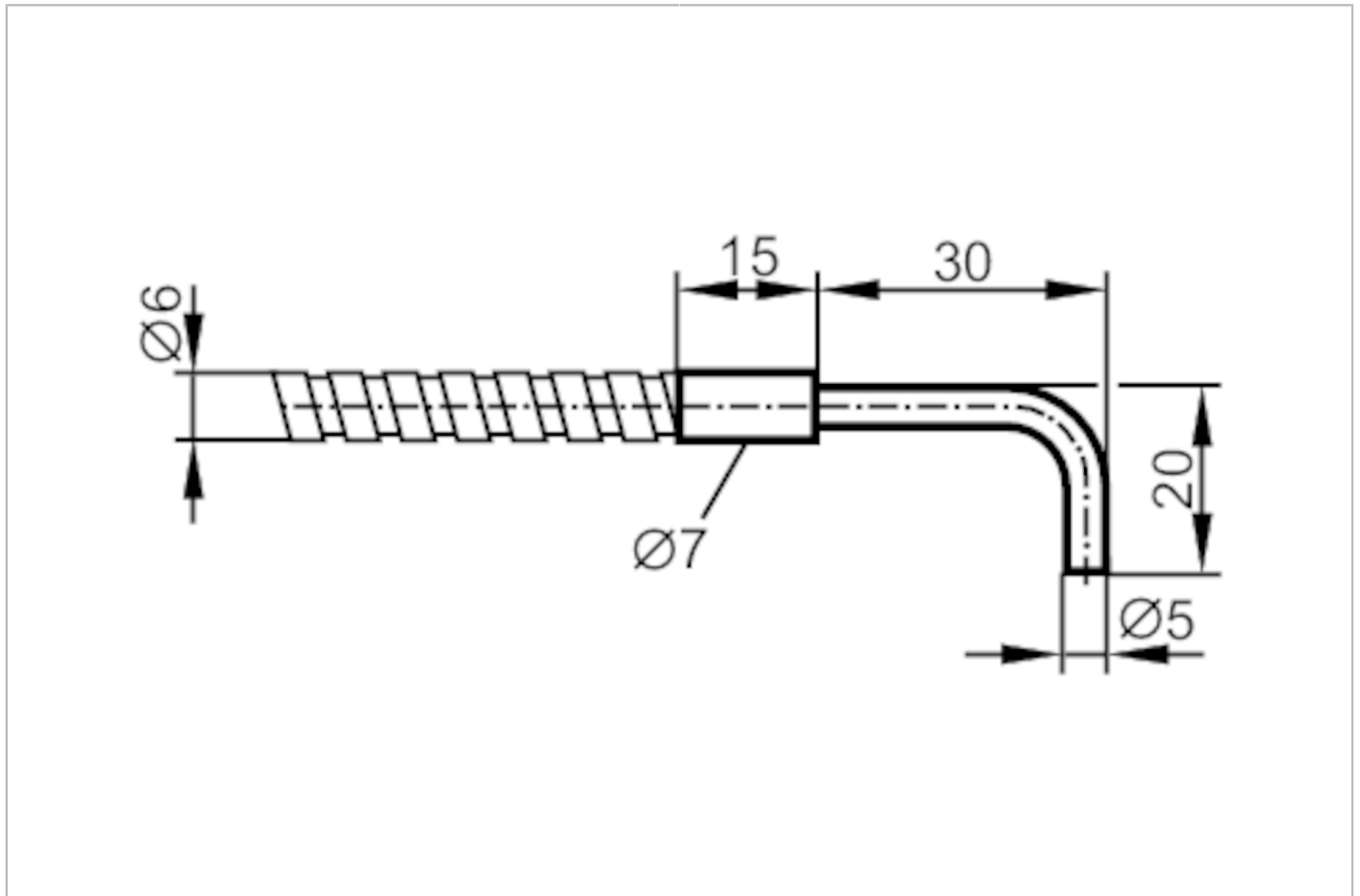


E20828



Fibre optic through-beam sensor

FE-50-V-V-R5



| Application | |
|---------------------------------------|---------------------|
| Function principle | Through-beam sensor |
| Detection zone | |
| Range with fibre optic amplifier type | OBF; ODF; OMF |
| OBF | |
| Range of fibre optics [mm] | 1000 |
| ODF | |
| Range of fibre optics [mm] | 4 |
| OMF | |
| Range of fibre optics [mm] | 800 |
| Operating conditions | |
| Ambient temperature [°C] | -58...315 |

E20828



Fibre optic through-beam sensor

FE-50-V-V-R5

| Mechanical data | |
|----------------------------|--------------------------------|
| Weight [g] | 174 |
| Version of sensing head | angled |
| Sensing head diameter [mm] | 5 |
| Total length [mm] | 900 |
| Min. bending radius [mm] | 19 |
| Fibre arrangement | ● |
| Fibre material | glass |
| Fibre head material | stainless steel (1.4305 / 303) |
| Fibre sheath material | stainless steel (1.4305 / 303) |
| Remarks | |
| Pack quantity | 1 pcs. |