

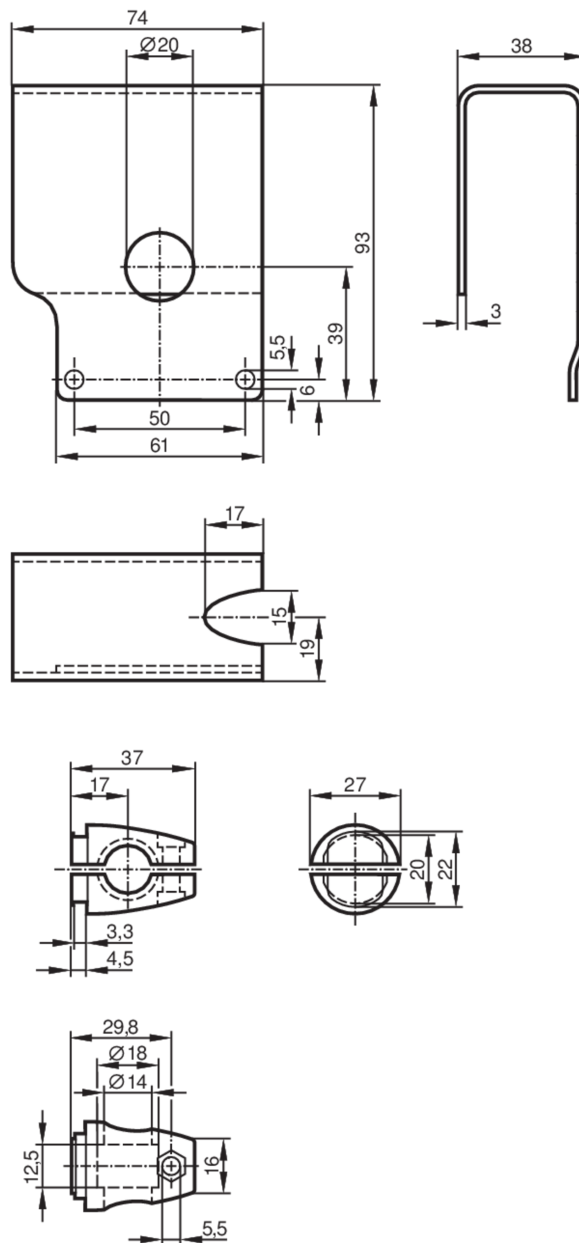
E20877



Mounting set with protective cover for photoelectric sensors

SYSTEM COMPONENT OL BOLT

Article no longer available - archive entry



Application	
Design	clamp mounting, with protective cover
Mechanical data	
Weight [g]	554.6
Type of mounting	free-standing; (M12)
Materials	Clamp: stainless steel (1.4408); fixture: stainless steel (1.4571/316Ti)
Accessories	
Items supplied	screw: 1 x M12 x 120
Remarks	
Pack quantity	1 pcs.