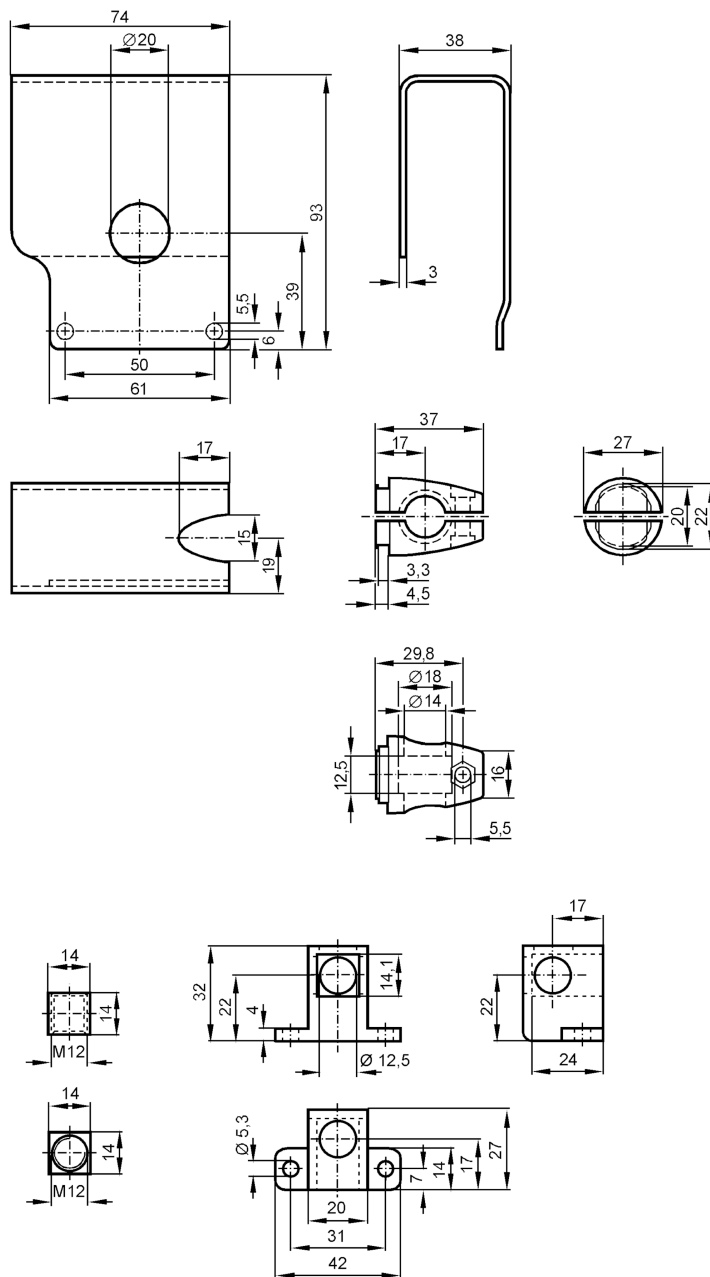




Mounting set with protective cover for photoelectric sensors

SYSTEM COMPONENT OL RAIL

Article no longer available - archive entry



Application	
Design	clamp mounting, with protective cover
Mechanical data	
Weight [g]	623.6
Type of mounting	aluminium profile
Materials	Clamp: diecast zinc; fixture: stainless steel (1.4571/316Ti); CUBE: diecast zinc
Accessories	
Items supplied	screw: 1 x M12 x 120
Remarks	
Pack quantity	1 pcs.