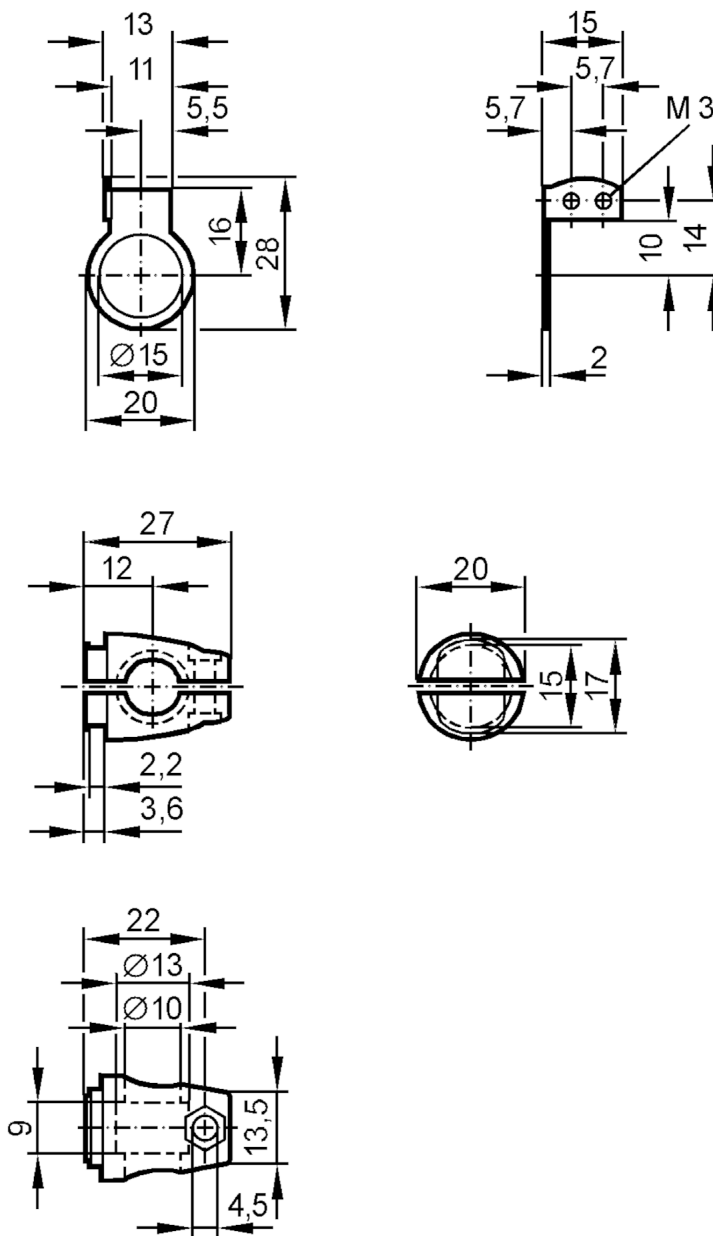




Mounting set for photoelectric sensors

SYSTEM COMPONENT OJ BOLT

Article no longer available - archive entry



Application	
Design	clamp mounting, for front lens
Mechanical data	
Weight [g]	88.4
Type of mounting	free-standing; (M8)
Materials	Clamp: stainless steel (1.4408); fixture: stainless steel (1.4571/316Ti)
Accessories	
Items supplied	screw: 1 x M8 x 40
Remarks	
Pack quantity	1 pcs.