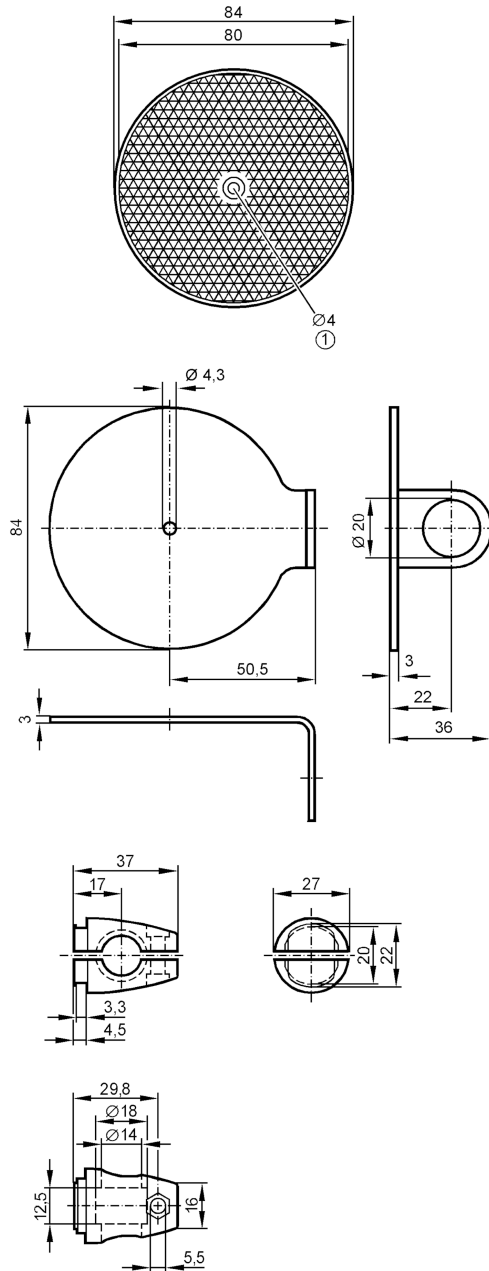


E20996



Mounting set for reflectors

SYSTEM COMPONENT REFLECTOR



1 screw head \varnothing 7.5 mm

Application	
Design	clamp mounting, for reflector
Mechanical data	
Weight [g]	434
Type of mounting	free-standing; (M12)
Materials	fixture: stainless steel (1.4571/316Ti); Clamp: stainless steel (1.4408)
Accessories	
Items supplied	screw: 1 x M12 x 120
Remarks	
Pack quantity	1 pcs.