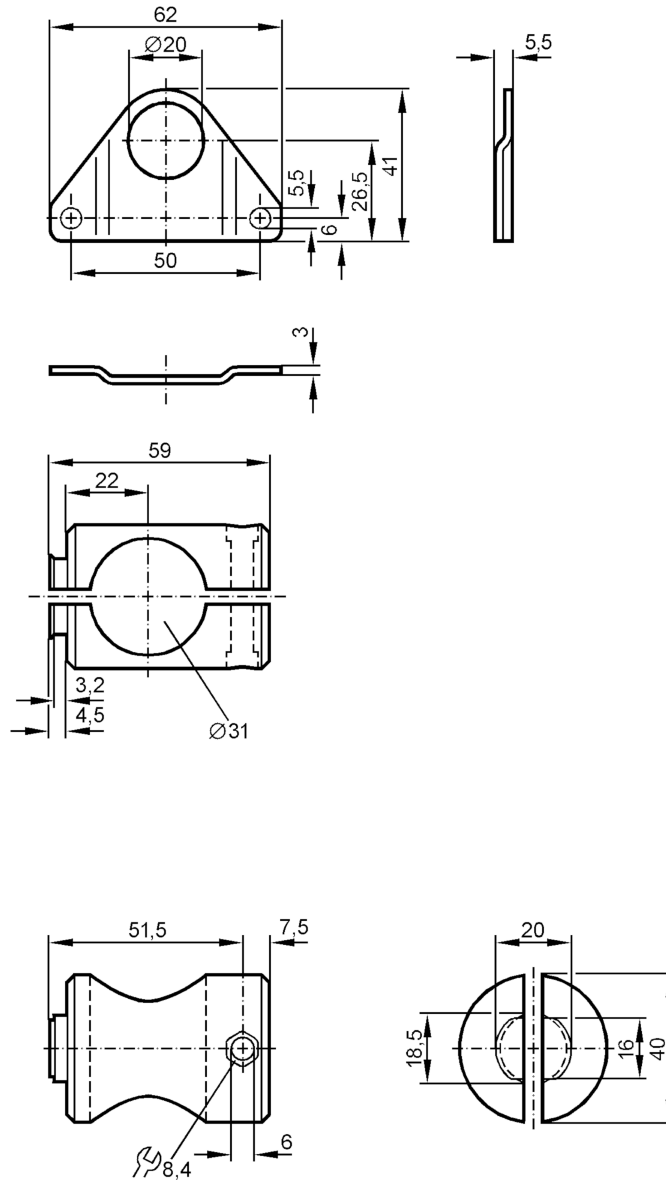




Mounting set for photoelectric sensors

MOUNTING SET OL ROD

Article no longer available - archive entry



Application

Design

clamp mounting

Mechanical data

Weight

[g]

176.8

Type of mounting

Mounting rod; (\varnothing 30 mm)

Materials

fixture: stainless steel (1.4571/316Ti); Clamp: aluminium uncoloured anodised

Remarks

Pack quantity

1 pcs.