

# E21050



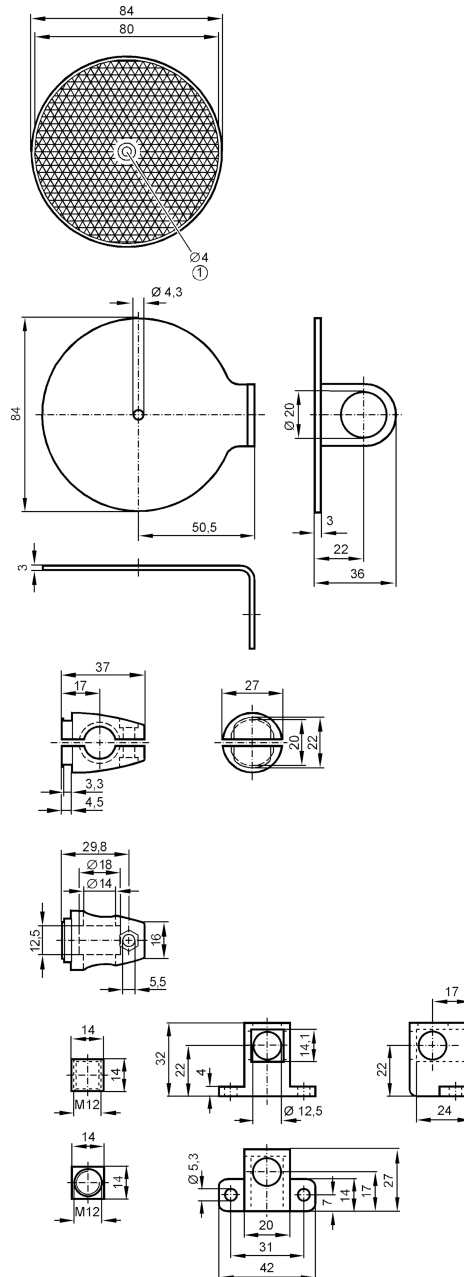
## Mounting set for reflectors

SET E20952+E20005+E20914

Article no longer available - archive entry

Alternative articles: E20952 + E20005 + E20914

When selecting an alternative article and accessories please note that technical data may differ!



### Application

Design

for reflector

### Mechanical data

Weight

[g]

515

Type of mounting

aluminium profile

Materials

fixture: stainless steel (1.4571/316Ti); Clamp: diecast zinc; Cube: diecast zinc; Prismatic reflector: plastics

# E21050



## Mounting set for reflectors

SET E20952+E20005+E20914

Accessories	
Items supplied	screw: 1 x M12 x 120
Remarks	
Pack quantity	1 pcs.