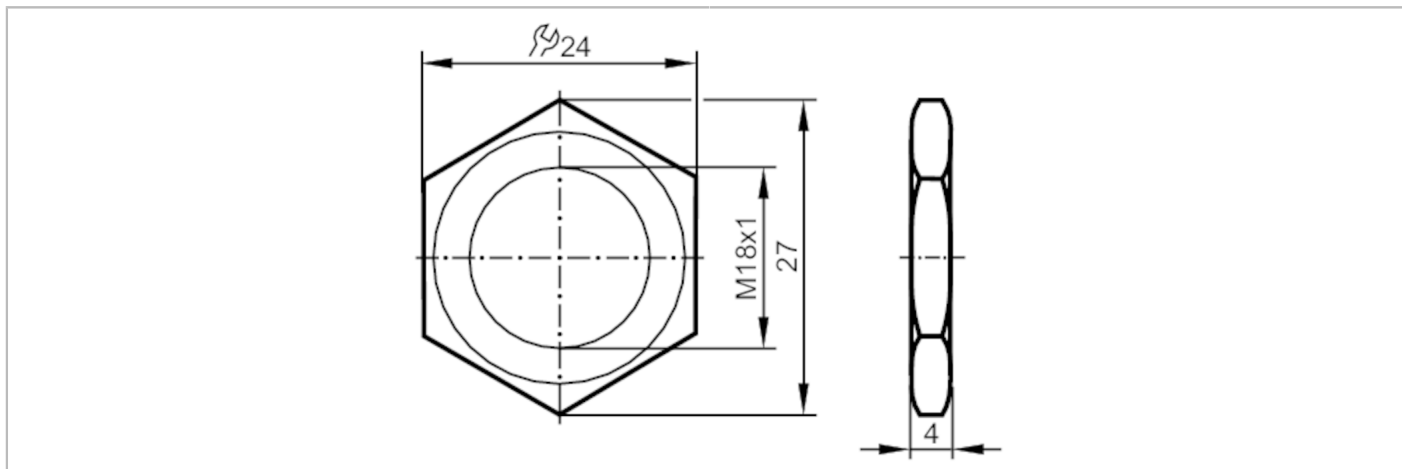


# E21092



## Hexagon nut

NUT M18 ST.STEEL 100PCS.



Mechanical data	
Weight	[g] 767.5
Dimensions	[mm] M18 x 1
Thread designation	M18 x 1
Materials	stainless steel (1.4571/316Ti)
Remarks	
Pack quantity	100 pcs.