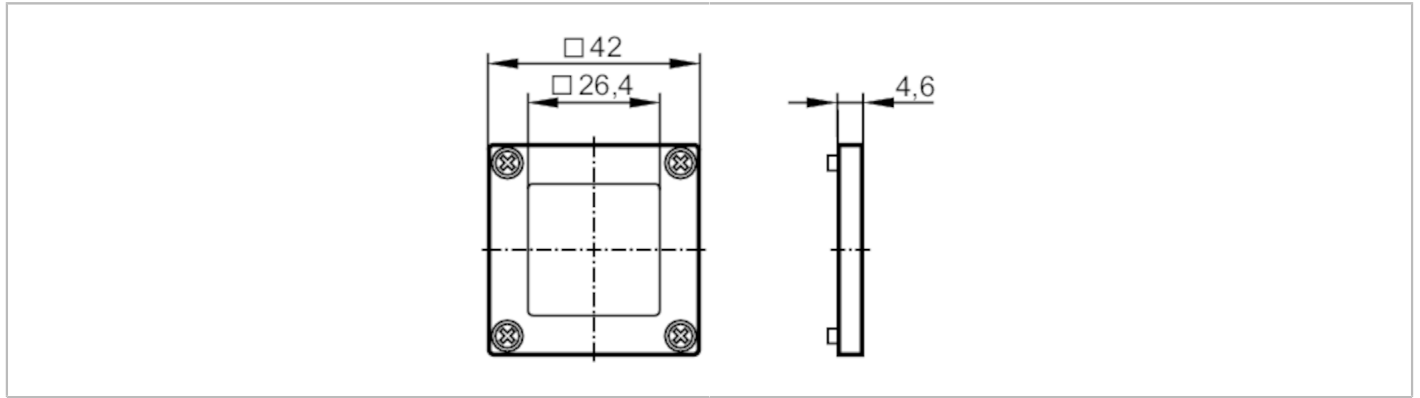


# E21133



## Protective cover

MASKING FRAME FOR O1D



Mechanical data	
Weight [g]	36.2
Dimensions [mm]	42 x 4.6 x 42
Materials	bezel: diecast zinc finish black; front lens: PMMA transparent and uncoloured; Sealing: FPM 75 ±5 Shore A; screws: stainless steel
Accessories	
Items supplied	screws: 4 x M3 x 8
Remarks	
Remarks	By attaching the protective cover the measured distance value can be changed by up to +5 mm. This deviation influences the specified accuracy. The repeatability remains unchanged. By soiling or scratching the window the repeatability and accuracy of the sensor can deteriorate.
Pack quantity	1 pcs.