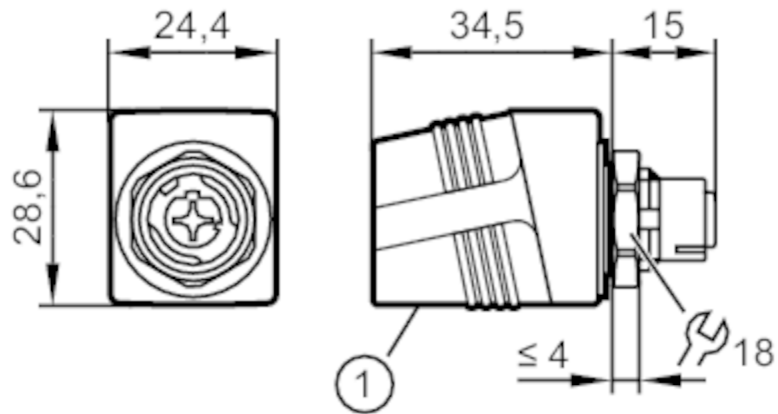


# E21140



## Ethernet connection adapter

INDUSTR.ETHERN.ADAPT.M12/RJ45



### Application

Design Ethernet cable, D-coded

### Operating conditions

Ambient temperature [°C] -25...85

Protection IP 65; IP 67

### Mechanical data

Weight [g] 47.5

### Remarks

Pack quantity 1 pcs.

### Electrical connection - socket

Connector: 1 x M12, angled



# E21140

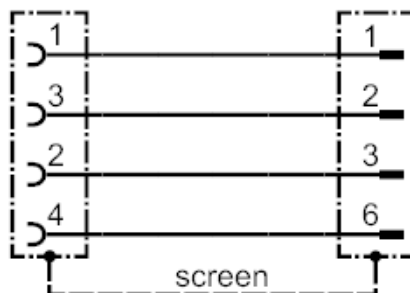


## Ethernet connection adapter

INDUSTR.ETHERN.ADAPT.M12/RJ45

### Electrical connection

#### Connection



### Electrical connection - socket

Connector: 1 x RJ45, angled

