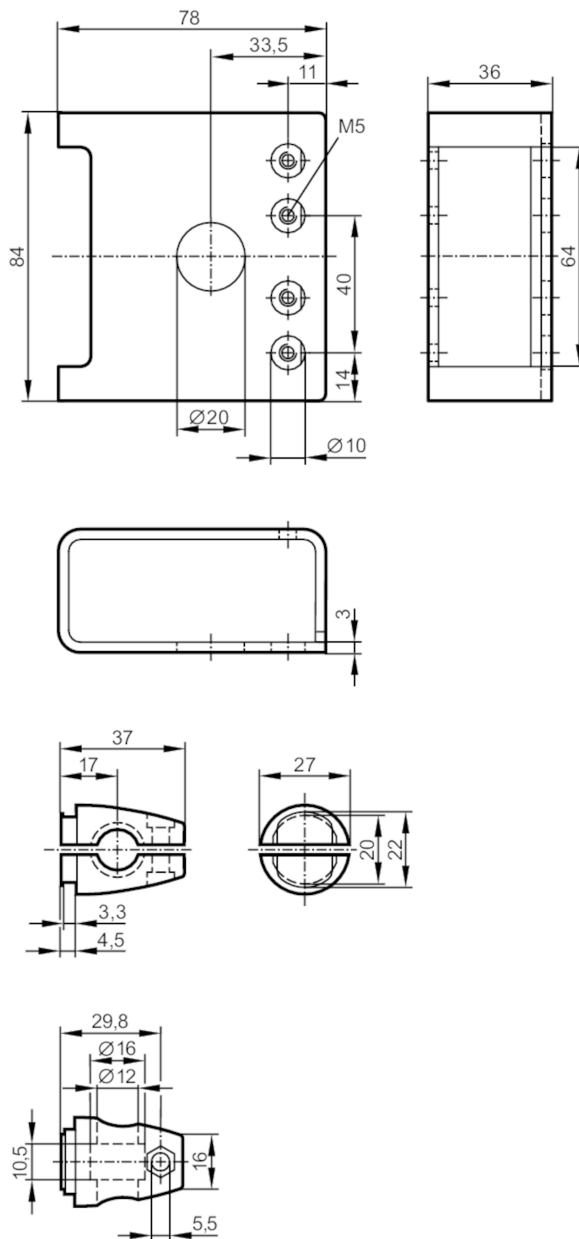


E21215



Mounting set with protective cover for photoelectric sensors

O4 PROTECTIVE BRACKET 200



Application	
Design	clamp mounting, with protective cover
Mechanical data	
Weight [g]	371.5
Type of mounting	Mounting rod; (Ø 12 mm)
Materials	stainless steel (1.4404 / 316L); Clamp: diecast zinc
Accessories	
Items supplied	head cap screw: 1 x M5 x 16 cylinder screws: 2 x M5 x 30

E21215



Mounting set with protective cover for photoelectric sensors

O4 PROTECTIVE BRACKET 200

Remarks

Pack quantity	1 pcs.
---------------	--------