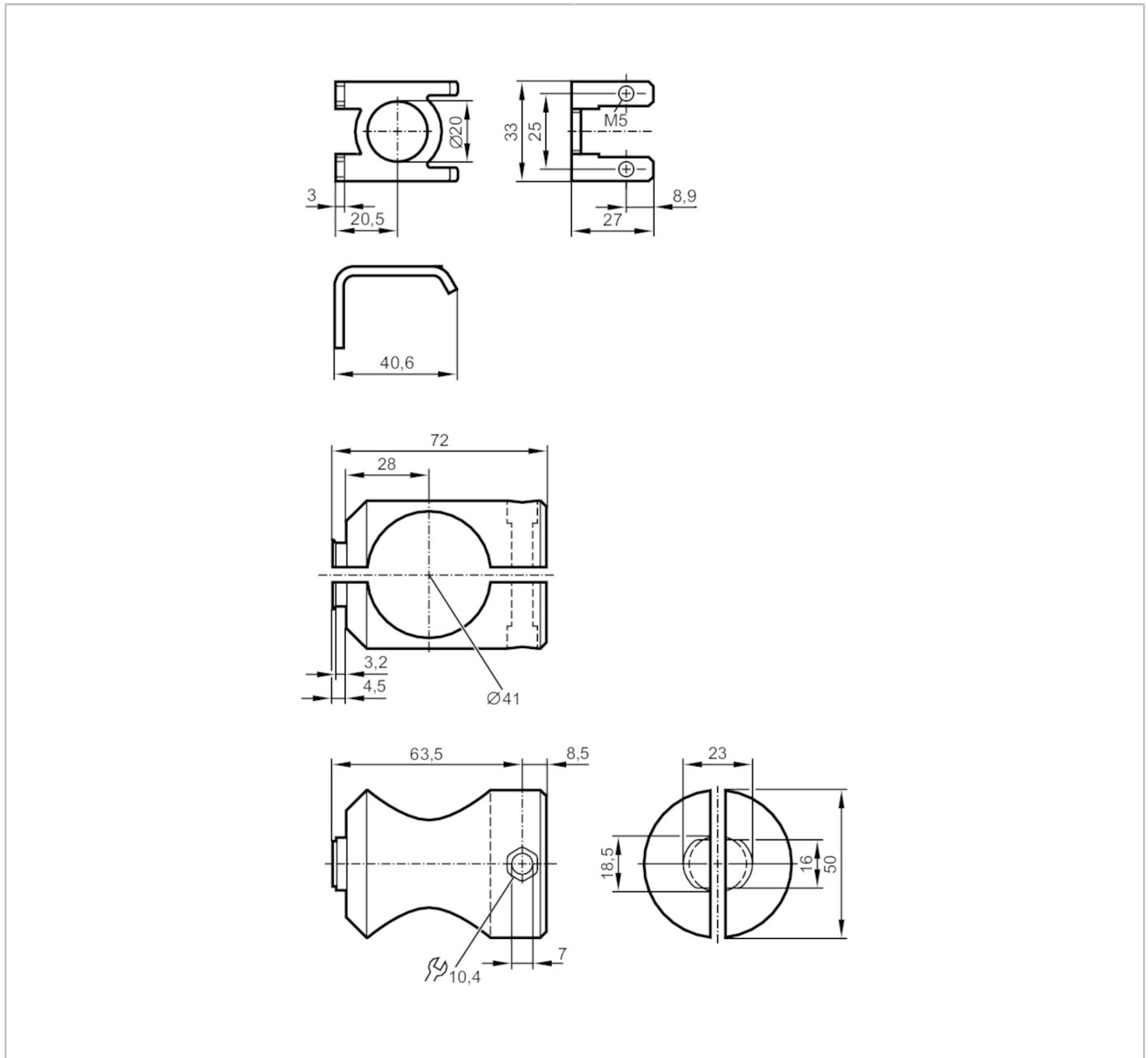


E21255



Mounting set for photoelectric sensors

MOUNTING SET FOR O5 ROD



Application	
Design	clamp mounting
Mechanical data	
Weight [g]	236.5
Type of mounting	Mounting rod; (Ø 40 mm)
Materials	fixture: stainless steel (1.4571/316Ti); Clamp: aluminium uncoloured anodised
Accessories	
Items supplied	socket head screw: 1 x M6 x 40 socket head screws: 2 x M5 x 8 Hexagon nut: 1 x M6
Remarks	
Pack quantity	1 pcs.