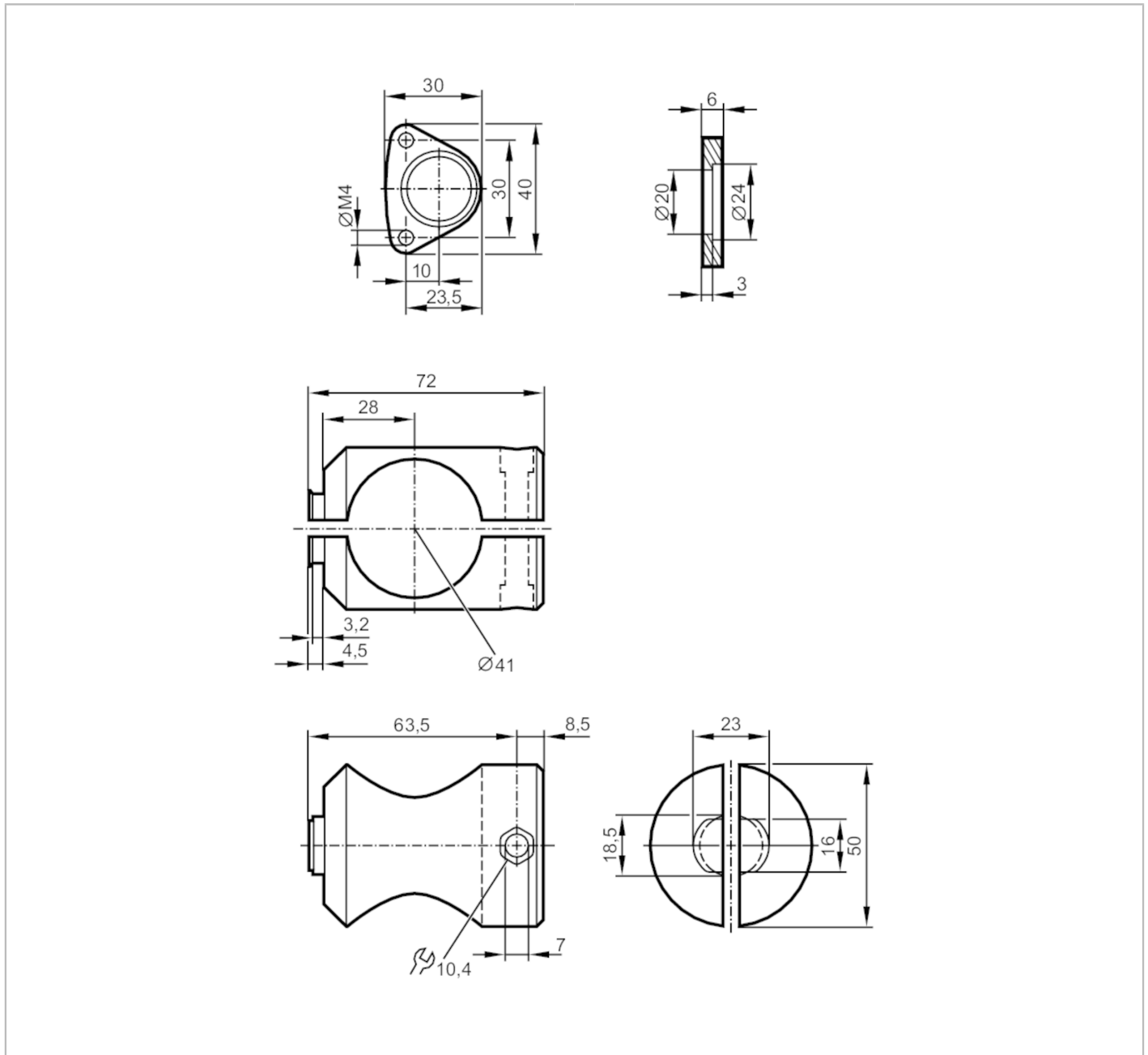


E21260



Mounting set for photoelectric distance sensors

MOUNTING SET O1D D40



Application	
Design	clamp mounting
Mechanical data	
Weight [g]	238.2
Type of mounting	Mounting rod; (Ø 40 mm)
Materials	fixture: stainless steel (1.4571/316Ti); Clamp: aluminium uncoloured anodised; screws: stainless steel; nut: stainless steel
Accessories	
Items supplied	socket head screws: 2 x M4 x 45
Remarks	
Pack quantity	1 pcs.