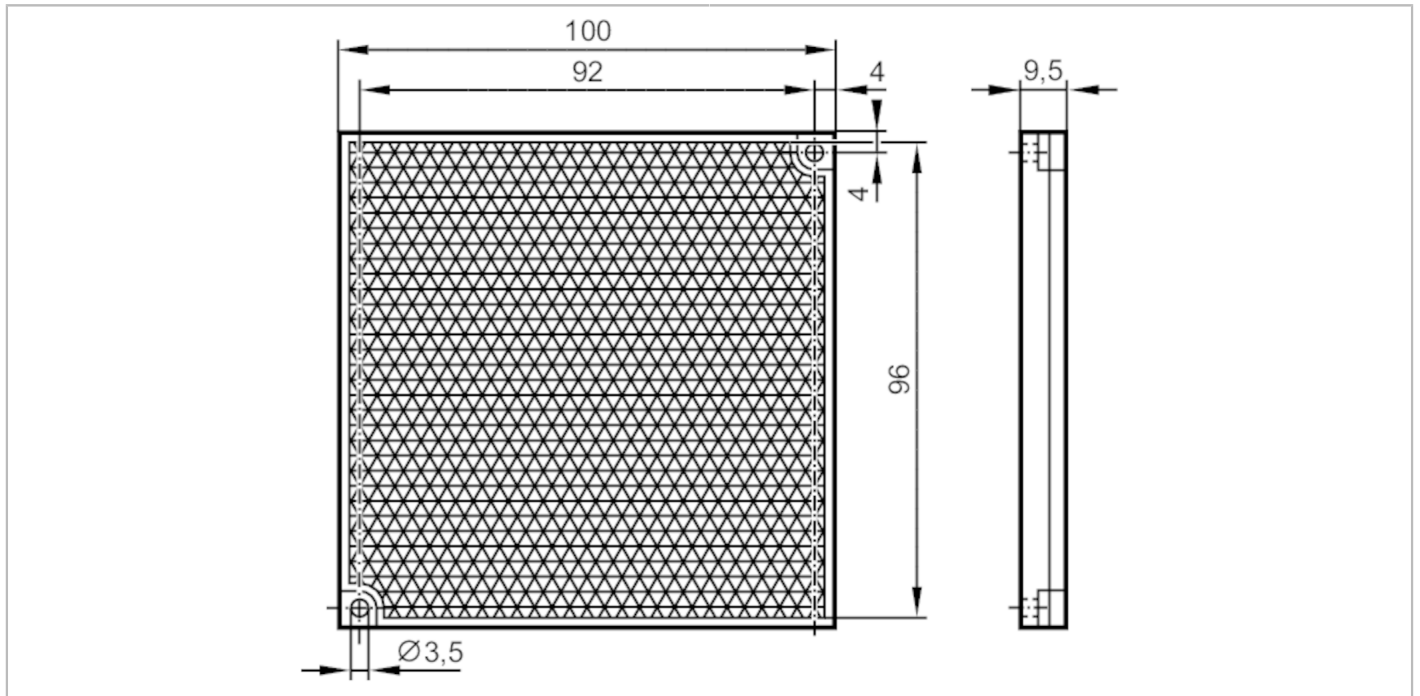


E21270



Reflector for retro-reflective sensors

REFLECTOR TS-96X96 SC



Application

Design

for hygienic and wet areas in the food industry, rectangular,
for red light and infrared light retro-reflective sensors

Operating conditions

Ambient temperature

[°C]

-20...140

Mechanical data

Weight

[g]

73.1

Dimensions

[mm]

100 x 100 x 9.5

Reflector surface

[mm]

96 x 96

Materials

Solidchem

Remarks

Pack quantity

1 pcs.