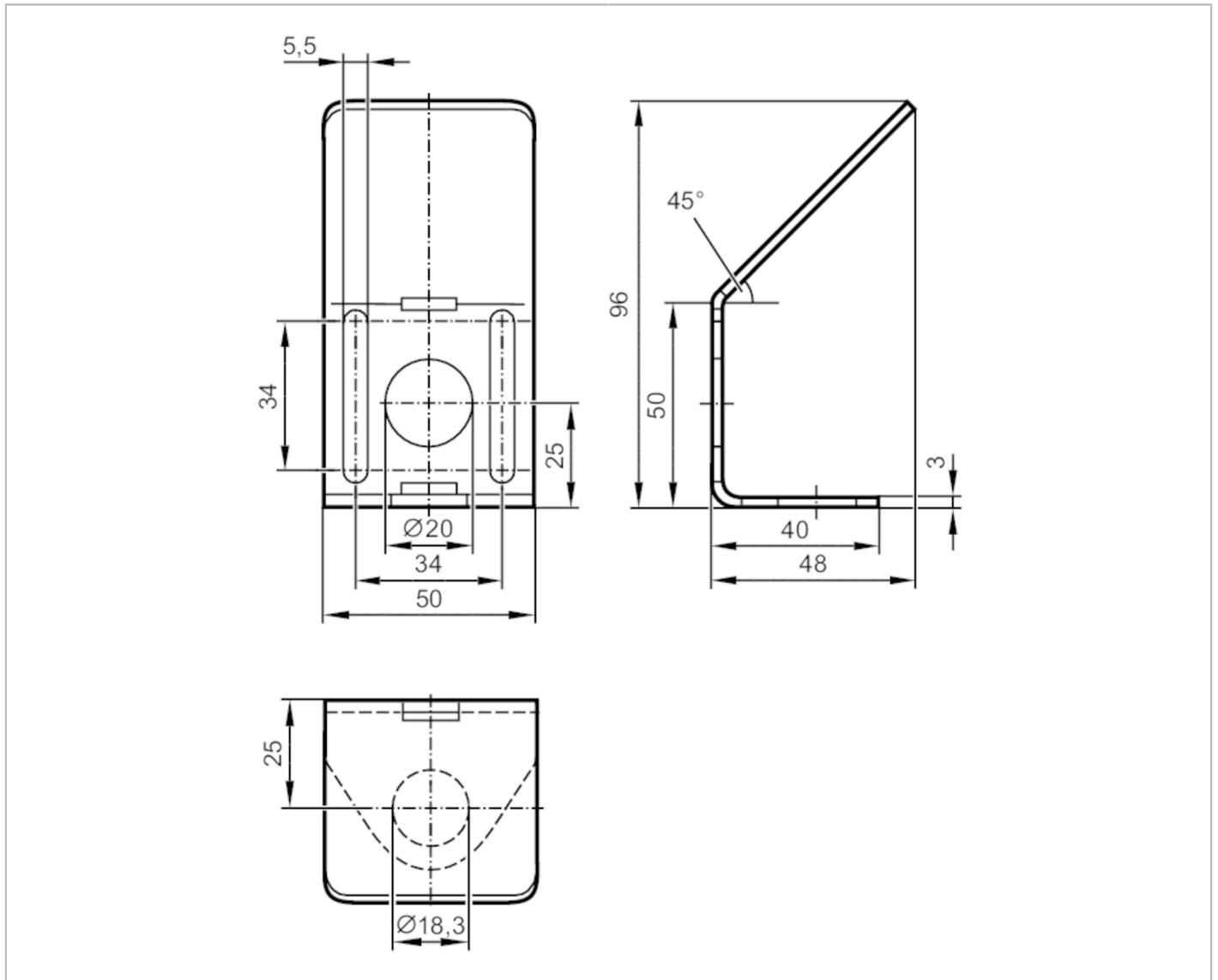


E23002



Sound deflector

BEAM DEFLECTOR UG RANGE 2.2m



Application	
Design	for types UG, UG Cube
Mechanical data	
Weight [g]	138
Materials	stainless steel (1.4301 / 304)
Remarks	
Pack quantity	1 pcs.