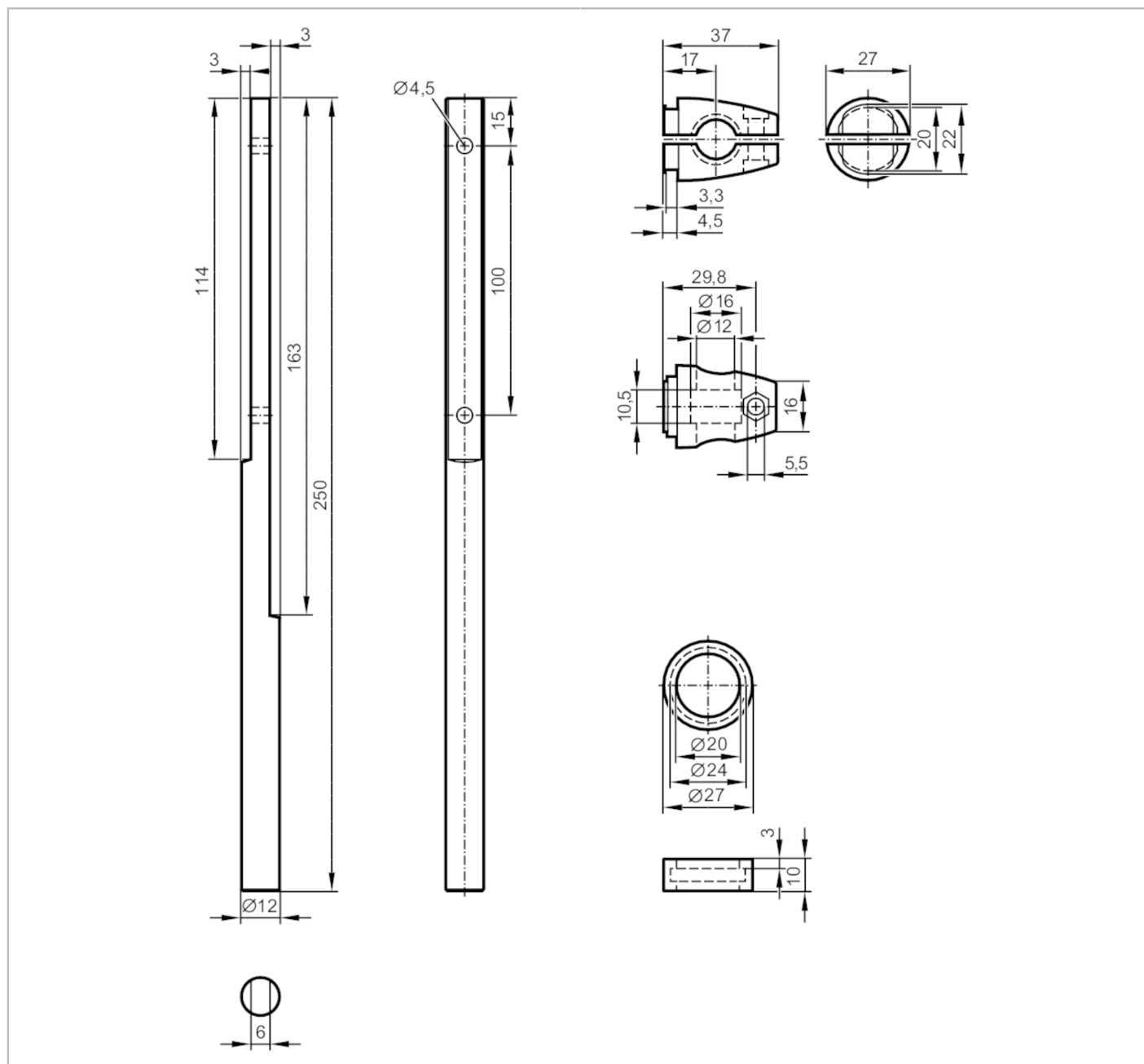


E2D114



Mounting set for illumination unit

MOUNTING SET BARLIGHT



Application	
Design	clamp mounting
Mechanical data	
Weight [g]	394
Dimensions [mm]	Ø 12 / L = 250
Materials	Mounting bracket: stainless steel; Clamp: stainless steel
Accessories	
Items supplied	screws
Remarks	
Pack quantity	1 pcs.