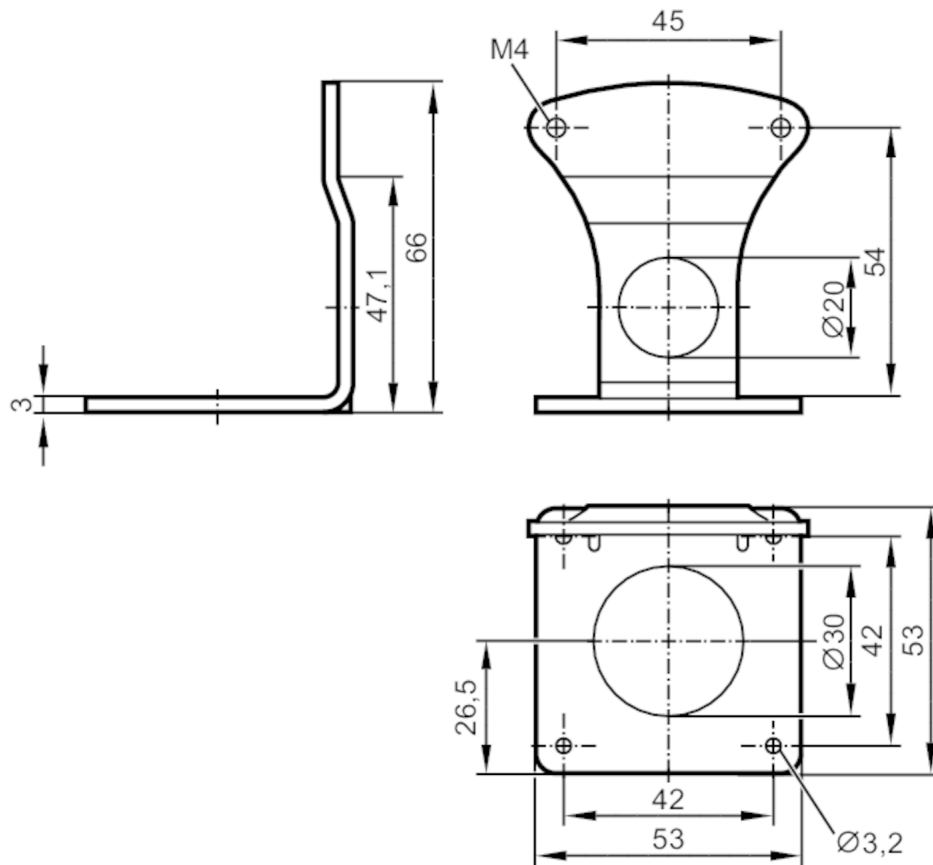


# E2D117



## Mounting set for illumination unit

MOUNTING SET DOME LIGHT



### Application

Design for type O2D

### Mechanical data

Weight [g] 186.5

Type of mounting mounting via screws

Materials fixture: stainless steel (1.4305 / 303)

### Accessories

Items supplied screws: 4

### Remarks

Pack quantity 1 pcs.