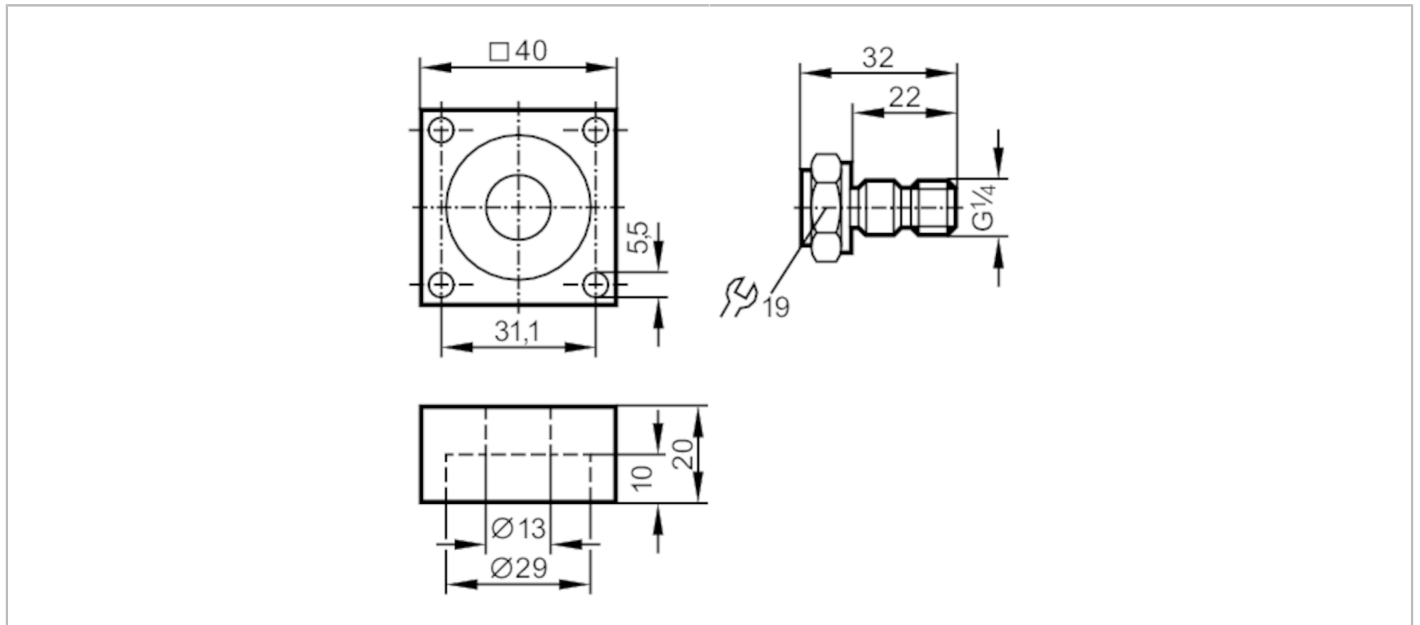


E30003



Flange adapter for process sensors

FLSH ADAPT PX 31,1



Application	
Pressure rating	[bar] 200
Tests / approvals	
Pressure Equipment Directive	A possible classification to PED depends on the application and has to be carried out by the user / operator.
Safety instructions	The compatibility between medium and product material has to be checked in all applications.
Mechanical data	
Weight	[g] 119
Materials	Sealing: NBR; flange: aluminium; hollow screw: brass
Sensor connection	G 1/4
Process connection	flange
Remarks	
Pack quantity	1 pcs.