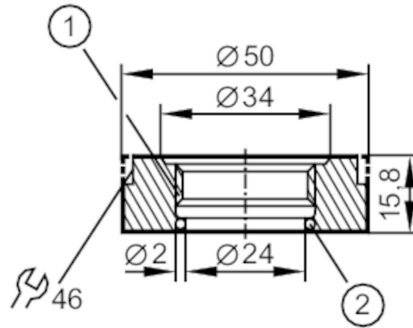


# E30052



## Welding adapter for process sensors

WELDING ADAPT IFM O-RG



EC 1935/2004 

Application	
Pressure rating	[bar] 50
Mechanical data	
Weight	[g] 221
Materials	stainless steel; O-ring: FPM FDA compliant
Sensor connection	Aseptoflex
Process connection	welding adapter
Surface characteristics Ra/Rz of the wetted parts	0.4 / 4
Accessories	
Items supplied	O-ring: 24 x 2, FDA compliant
Remarks	
Notes	discontinued article
Pack quantity	1 pcs.