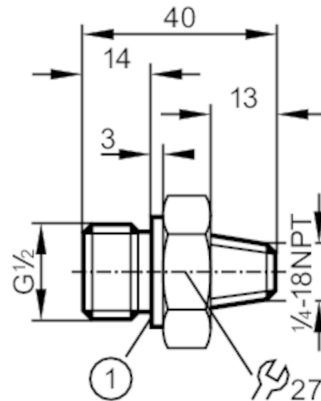


# E30059



## Screw-in adapter for process sensors

ADAPT 1/4 NPT A-G1/2 A



1 sealing edge

Application	
Pressure rating	[bar] 800
Tests / approvals	
Pressure Equipment Directive	A possible classification to PED depends on the application and has to be carried out by the user / operator.
Safety instructions	The compatibility between medium and product material has to be checked in all applications.
Mechanical data	
Weight	[g] 94.2
Materials	stainless steel (1.4571/316Ti)
Sensor connection	1/4" NPT
Process connection	threaded connection G 1/2
Remarks	
Pack quantity	1 pcs.