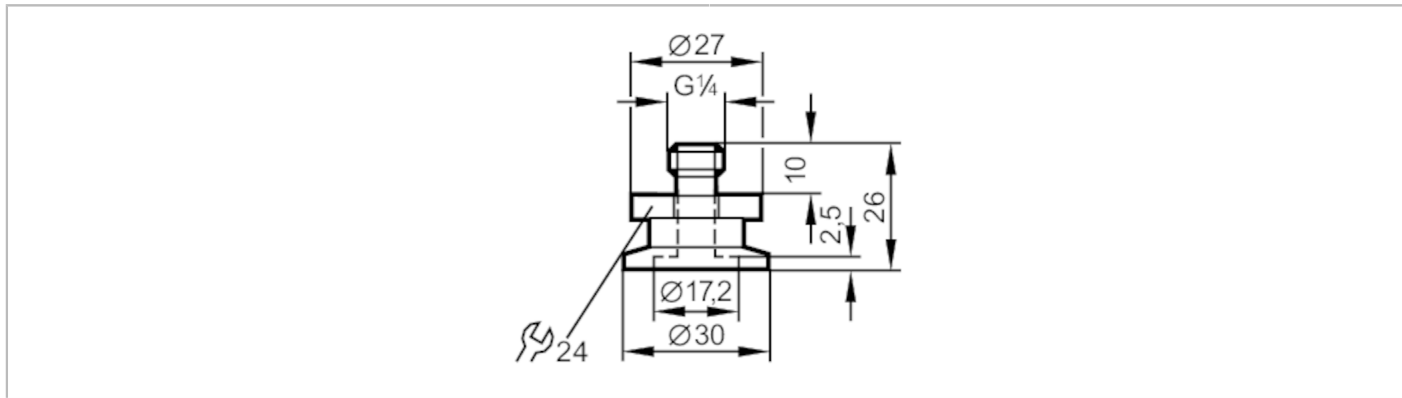


# E30065



## Mounting adapter for process sensors

ADAPT G1/4-FLANGE NW16



Application	
Design	small flange G1/4 - DIN 28403 DN16
Pressure rating [bar]	10
Tests / approvals	
Pressure Equipment Directive	A possible classification to PED depends on the application and has to be carried out by the user / operator.
Safety instructions	The compatibility between medium and product material has to be checked in all applications.
Mechanical data	
Weight [g]	67
Materials	stainless steel (1.4301 / 304)
Sensor connection	G 1/4
Process connection	flange DN16
Remarks	
Pack quantity	1 pcs.