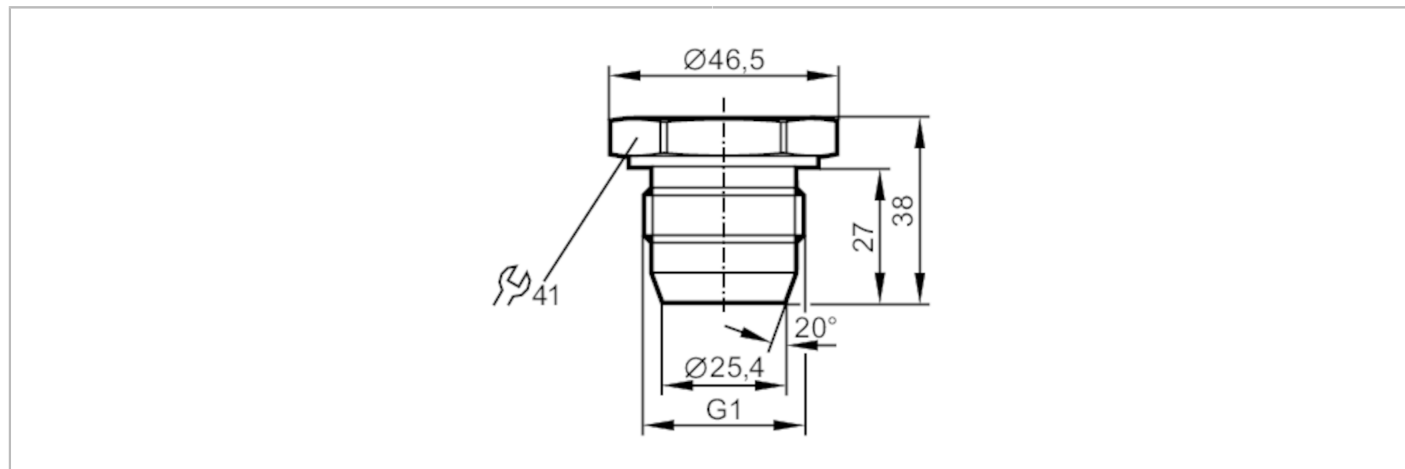


E30070



Cover plug for process connections

ADAPTER PLUG G1



Mechanical data	
Weight [g]	260.5
Materials (wetted parts)	stainless steel surface characteristics : Ra<0,6 / Rz -
Process connection	threaded connection G 1 external thread
Remarks	
Pack quantity	1 pcs.