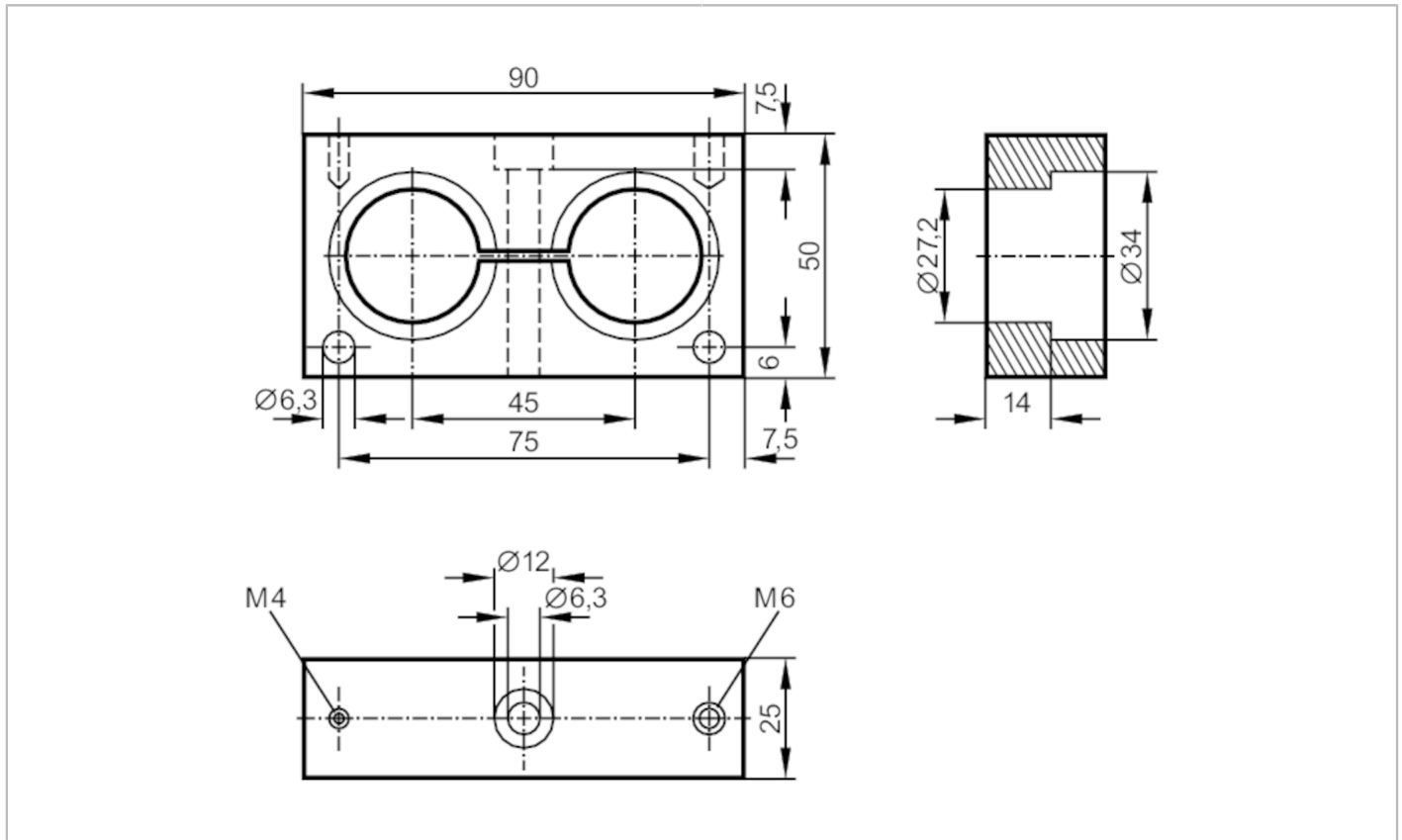


E30078



2-way mounting device for process sensors

MOUNTIG DEVICE 2 WAY



| Application | |
|-----------------|---------------------------------------|
| Design | for fluid sensors |
| Mechanical data | |
| Weight | [g] 124.5 |
| Materials | POM |
| Accessories | |
| Items supplied | head cap screw: 1 x M6 x 60, ISO 4762 |
| | head cap screw: 1 x M4 x 8, ISO 4762 |
| | head cap screw: 1 x M6 x 8, ISO 4762 |
| | set screw: 1 x M6 x 16, DIN 913 |
| Remarks | |
| Pack quantity | 1 pcs. |