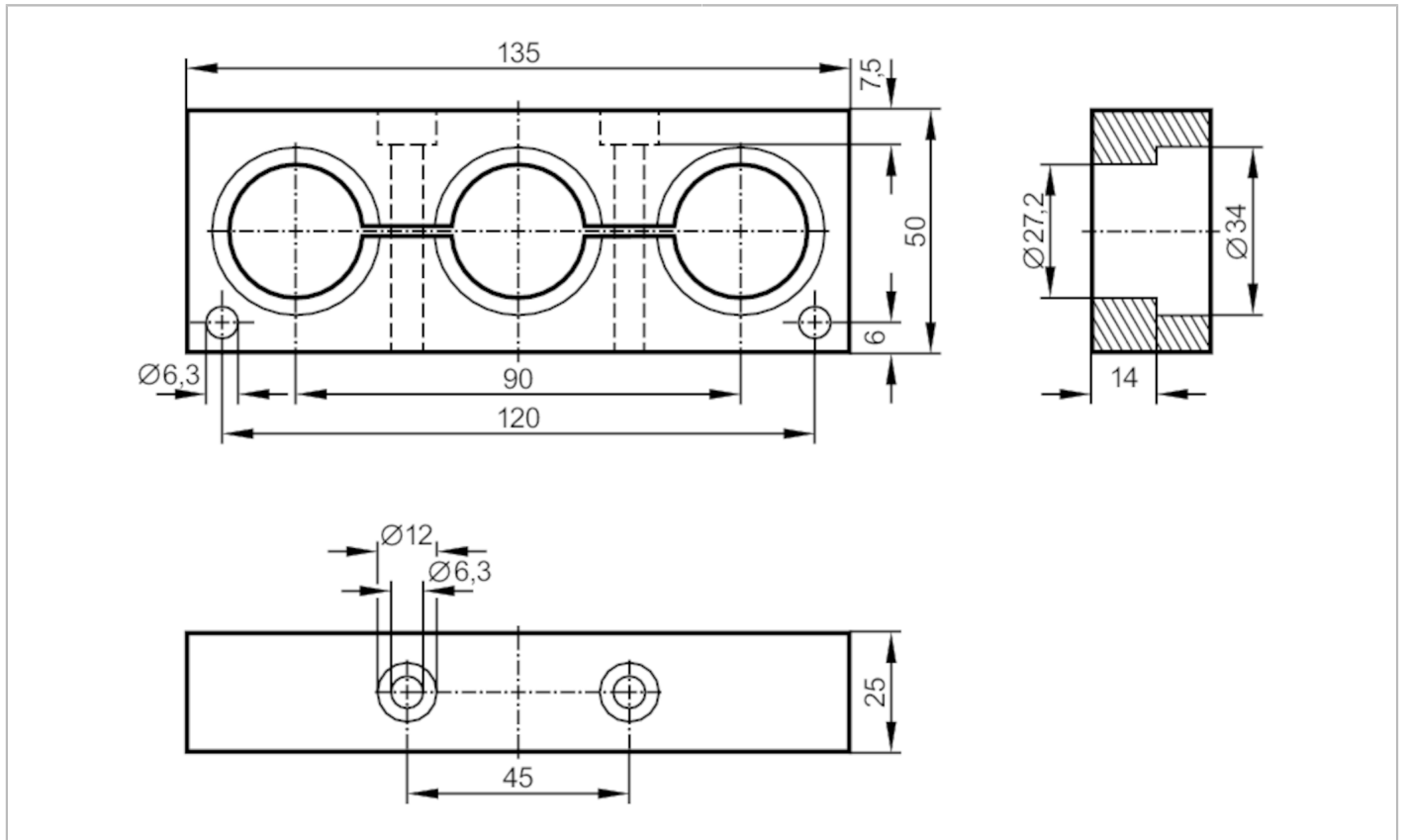


E30079



3-way mounting device for process sensors

MOUNTIG DEVICE 3 WAY



Application	
Design	for fluid sensors
Mechanical data	
Weight [g]	180
Materials	POM
Accessories	
Items supplied	cylinder screws: 2 x M6 x 60, ISO 4762
Remarks	
Pack quantity	1 pcs.