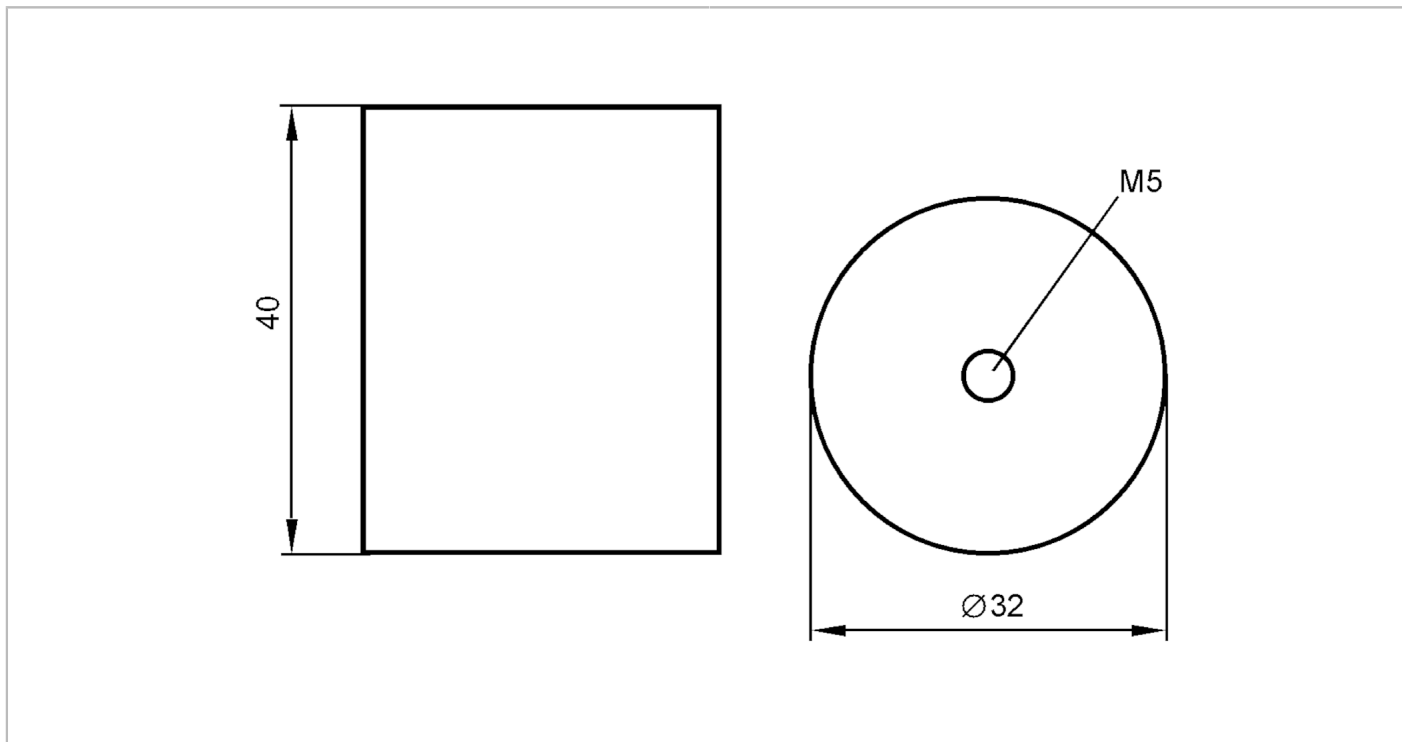


E30096



Magnetic mount for vibration sensors

MAGNETIC MOUNT



Application

Design	for efector octavis
--------	---------------------

Mechanical data

Weight	[g]	342.5
--------	-----	-------

Materials	brass; Samarium cobalt
-----------	------------------------

Remarks

Pack quantity	1 pcs.
---------------	--------