

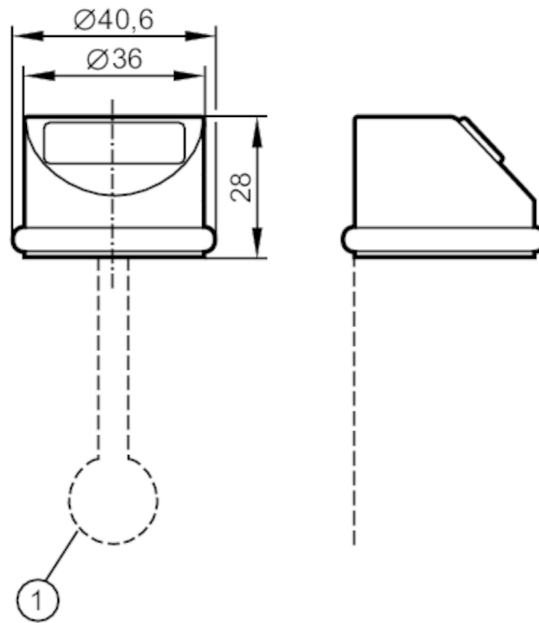
# E30101



## Protective cover for process sensors

PROTECTIVE COVER VA VITON

Article no longer available - archive entry



1 ventilation strip

### Application

Design

for fluid sensors

### Mechanical data

Weight

[g]

37

Materials

housing: stainless steel (1.4571/316Ti); ventilation strip: PTFE; viewing glass: PTFE; O-ring: FKM

### Remarks

Pack quantity

1 pcs.