

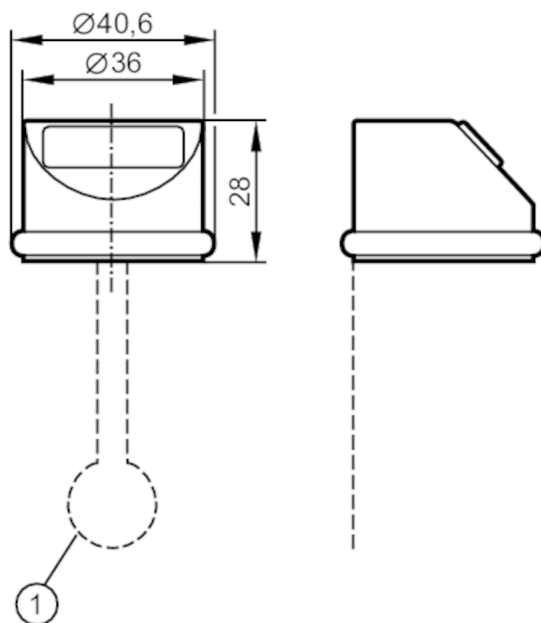
E30104



Protective cover for process sensors

PROTECTIVE COVER VA EPDM

Article no longer available - archive entry



1 ventilation strip

Application

Design

for fluid sensors

Mechanical data

Weight

[g]

38

Materials

housing: stainless steel (1.4571/316Ti); ventilation strip: PTFE; viewing glass: PTFE; O-ring: EPDM

Remarks

Pack quantity

1 pcs.