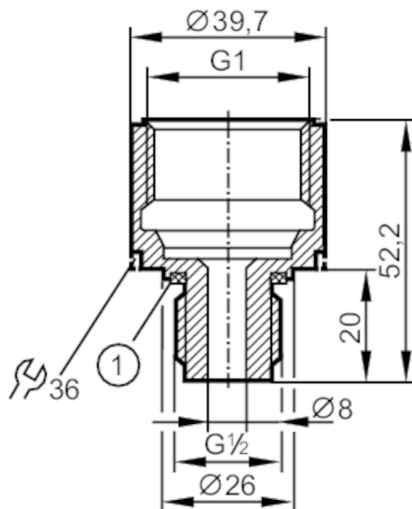


# E30116



## Screw-in adapter for process sensors

ADAPT G1-I / G1/2-A



1 sealings

### Application

Pressure rating [bar] 100

### Tests / approvals

Pressure Equipment Directive A possible classification to PED depends on the application and has to be carried out by the user / operator.

Safety instructions The compatibility between medium and product material has to be checked in all applications.

### Mechanical data

Weight [g] 187

Materials stainless steel (1.4404 / 316L); Sealing: FKM

Sensor connection G 1

Process connection threaded connection G 1/2

### Remarks

Pack quantity 1 pcs.