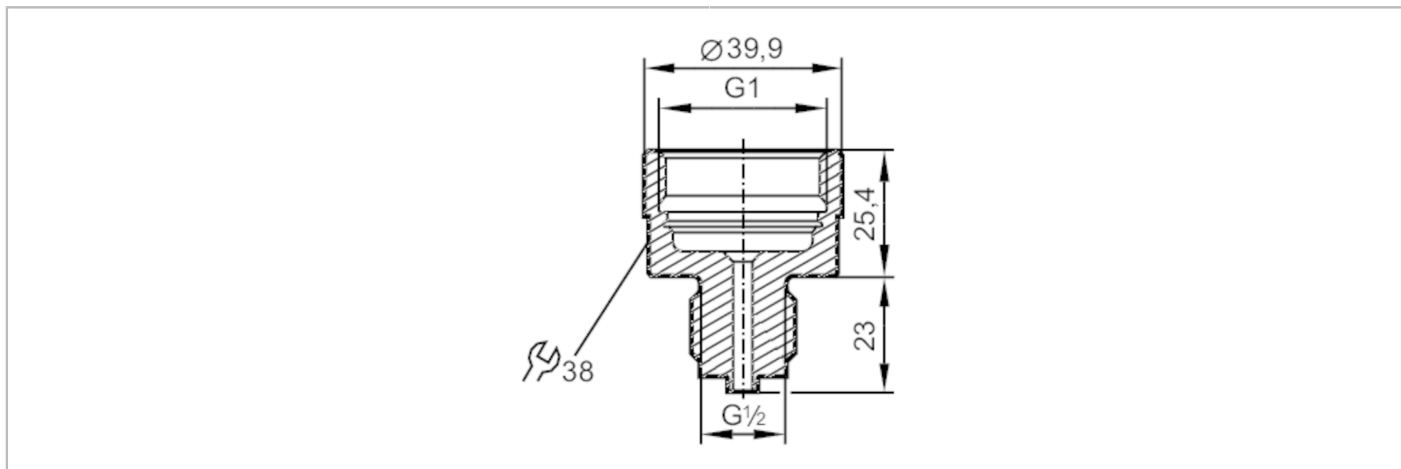


E30131



Screw-in adapter for process sensors

ADAPT G1 / G1/2 A DIN EN 837-3



ACS Reg31

Tests / approvals	
Pressure Equipment Directive	A possible classification to PED depends on the application and has to be carried out by the user / operator.
Safety instructions	The compatibility between medium and product material has to be checked in all applications.
Mechanical data	
Weight [g]	192
Materials	stainless steel (1.4404 / 316L)
Sensor connection	G 1 Aseptoflex Vario
Process connection	threaded connection G 1/2
Accessories	
Items supplied	O-rings: 1 x 24 x 2, EPDM, FDA compliant
Accessories (optional)	O-ring: 1 x 24 x 2, FKM, FDA compliant, E30123
Remarks	
Pack quantity	1 pcs.