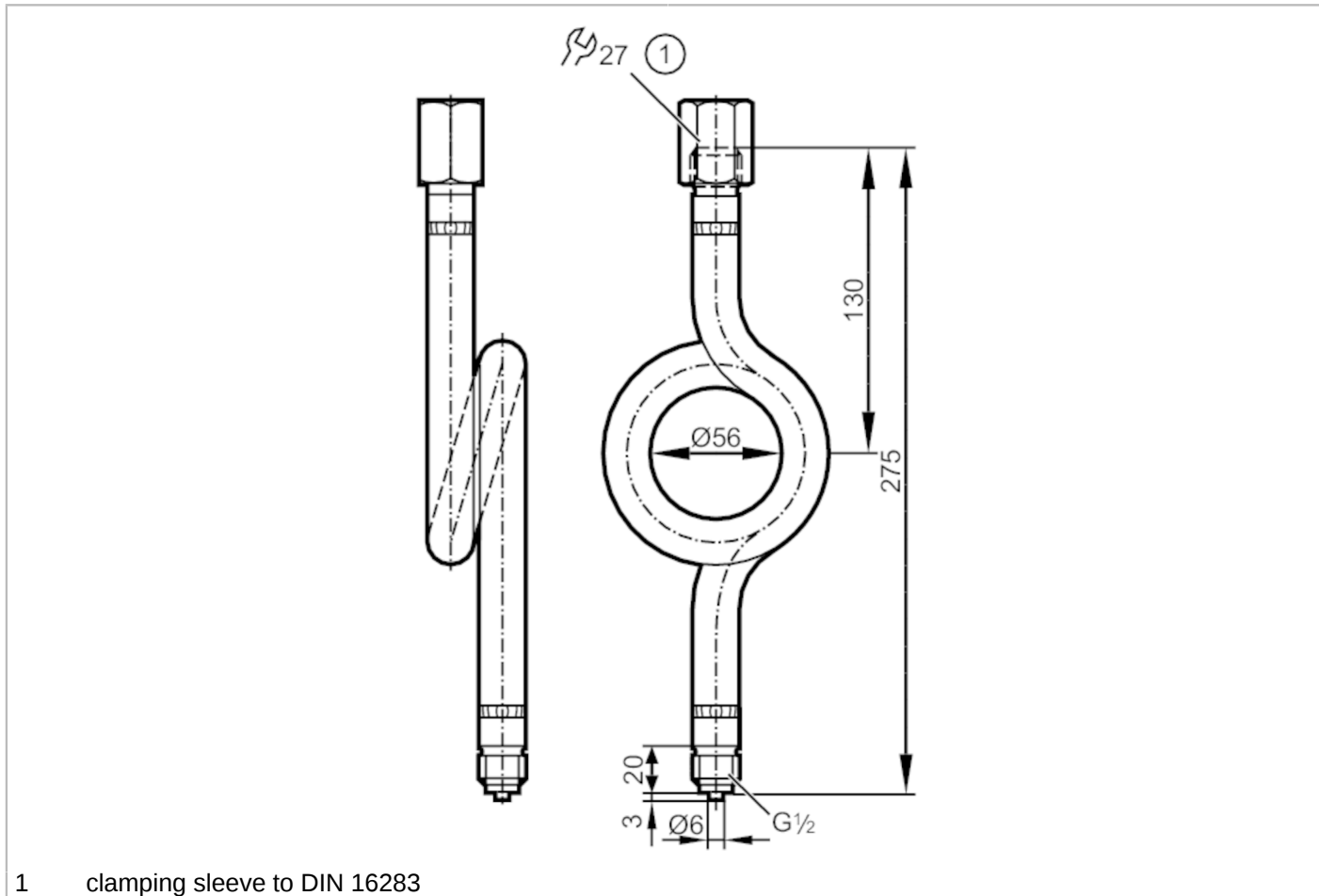


E30141



Siphon

SIPHON TUBE G1/2



1 clamping sleeve to DIN 16283

Application	
Application	for industrial applications
Media	liquids and gases
Tests / approvals	
Pressure Equipment Directive	A possible classification to PED depends on the application and has to be carried out by the user / operator.
Safety instructions	The compatibility between medium and product material has to be checked in all applications.
Mechanical data	
Weight [g]	750
Materials	steel (1.0345)
Sensor connection	G 1/2
Process connection	G 1/2
Accessories	
Items supplied	sealings: 2, PTFE
Remarks	
Pack quantity	1 pcs.

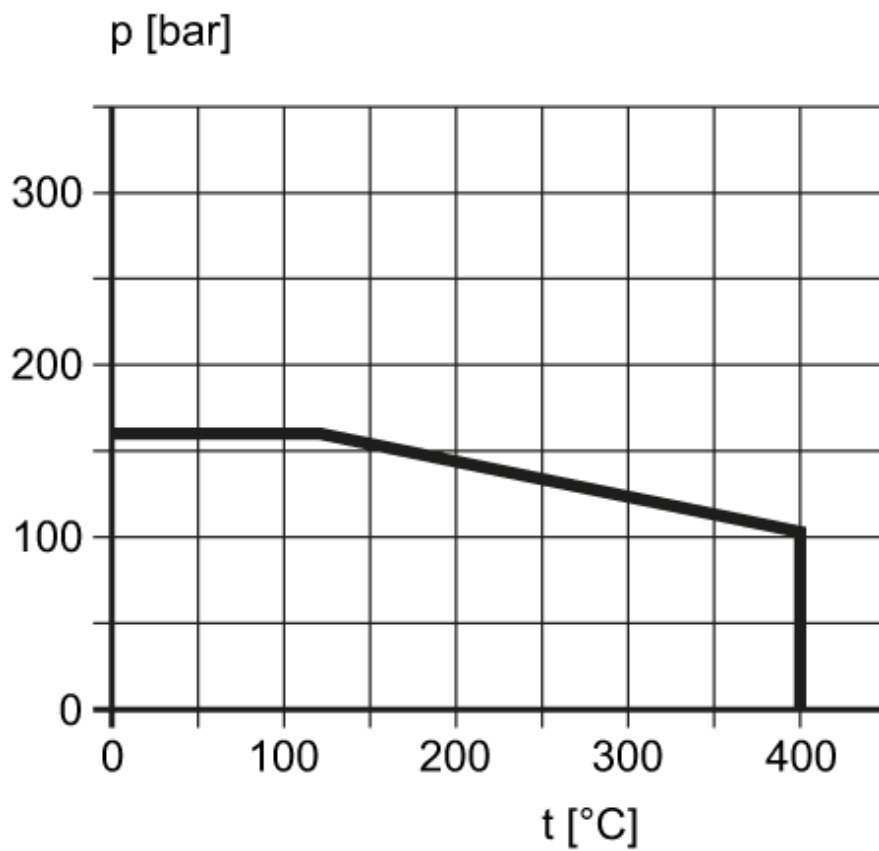


Siphon

SIPHON TUBE G1/2

Diagrams and graphs

Operating pressure



p Operating pressure

t operating temperature before the syphon