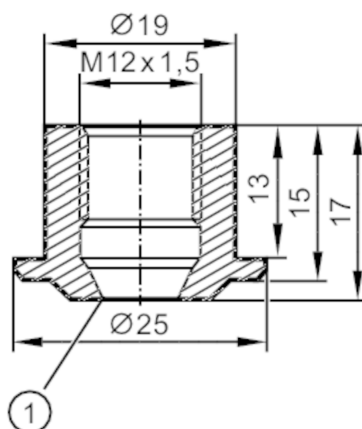


E30153



Welding adapter for process sensors

ADAPT M12-WELDING SHOULDER ACCESSORY



1 sealing edge

EC 1935/2004 

Application

Medium temperature	[°C]	< 250
Pressure rating	[bar]	50

Mechanical data

Weight	[g]	34.7
Materials		stainless steel (1.4404 / 316L)
Tightening torque	[Nm]	5...20
Sensor connection		M12 x 1,5 sealing cone
Process connection		welding adapter Ø 25 mm

Remarks

Pack quantity		1 pcs.
---------------	--	--------