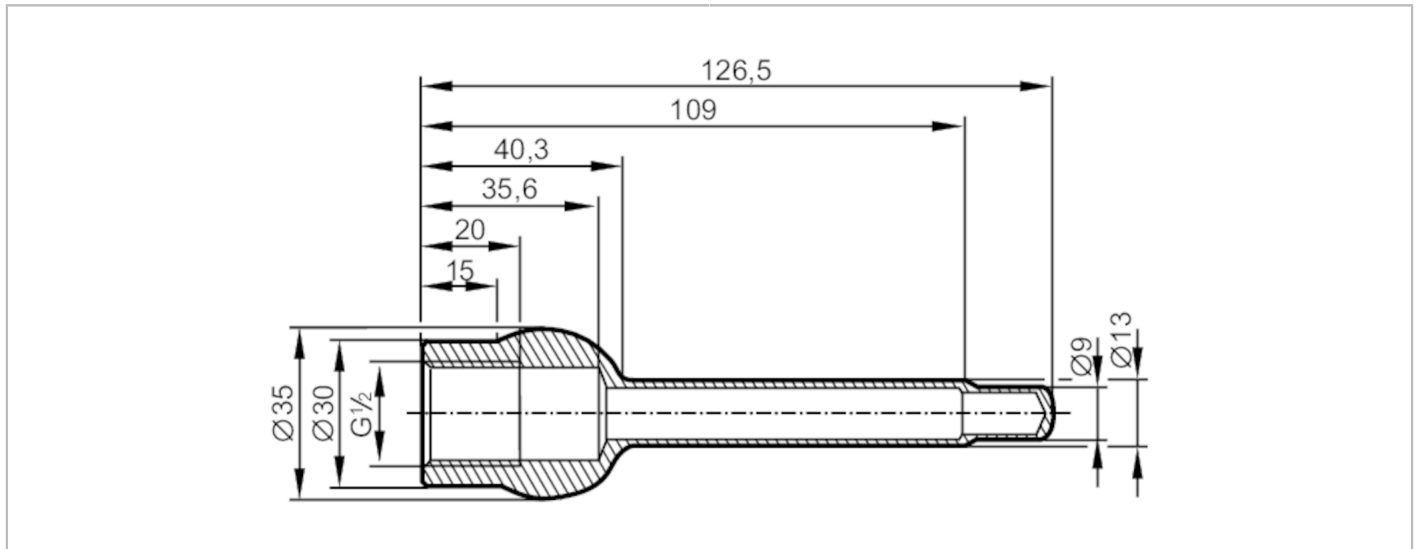


E30403



Welding thermowell for temperature sensors

WELDING THERMOWELL G1/2 V4A



EC 1935/2004 EHEDG Tested **FCM** 

Application	
Installation	TA343x, TAA431, TAD191
Pressure rating [bar]	300
Measuring/setting range	
Probe length L [mm]	126.5
Mechanical data	
Weight [g]	180.8
Materials	stainless steel (1.4404 / 316L)
Sensor connection	G 1/2 sealing cone Ø 8,2 mm
Process connection	Ø 35 mm
Surface characteristics Ra/Rz of the wetted parts	< 0.6
Remarks	
Pack quantity	1 pcs.