

E30405



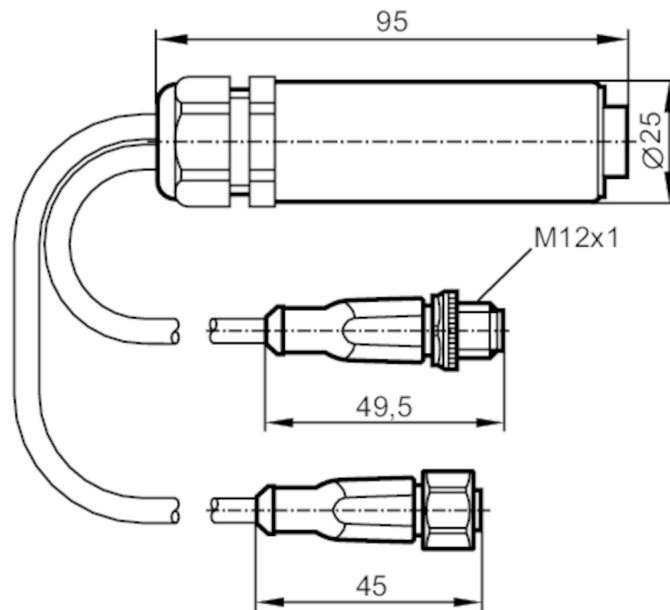
Teach button for pressure sensors

TEACH BUTTON

discontinued article

Alternative articles: PP2001

When selecting an alternative article and accessories please note that technical data may differ!



Application

Design for sensors PP0xE, PP052x, PP755x, for memory plug E30398

Electrical data

Operating voltage [V] 10...30 DC

Operating conditions

Protection IP 40

Mechanical data

Weight [g] 220.5

Materials stainless steel (1.4305 / 303); PA; PMMA

Remarks

Notes discontinued article

Pack quantity 1 pcs.

E30405



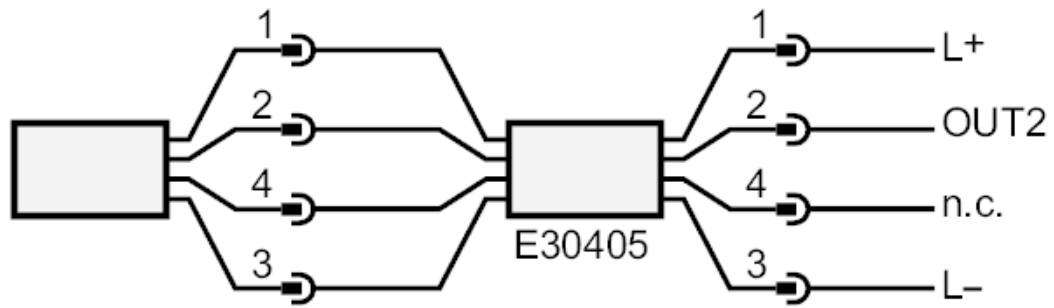
Teach button for pressure sensors

TEACH BUTTON

Electrical connection

Cable: 0.9 m, PUR

Connection



n.c. = not used