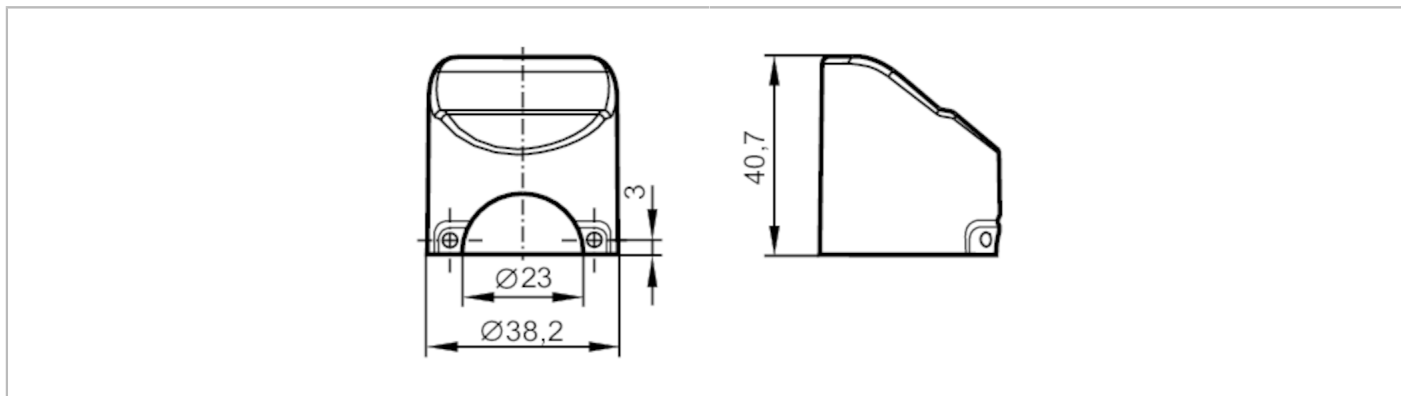


# E30420



## Protective cover for process sensors

PROTECTIVE COVER



Application	
Design	for fluid sensors with connector M12
Mechanical data	
Weight [g]	6.8
Material	PP
Remarks	
Pack quantity	1 pcs.