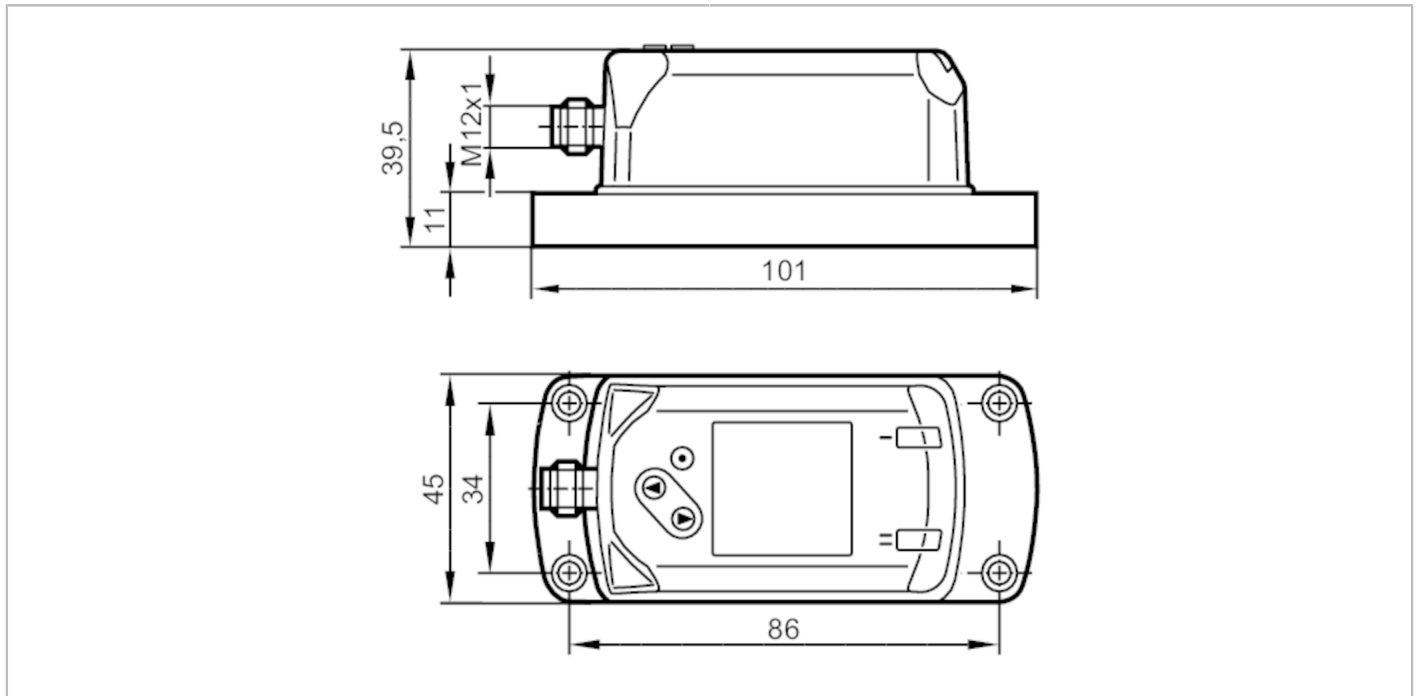


E30443



IO-Link display

IO-LINK MASTER DISPLAY 1,44




Application		
Special feature	Gold-plated contacts	
Application	display of all process values of the sensors connected to the same master	
Electrical data		
Operating voltage [V]	18...30 DC	
Current consumption [mA]	< 47	
Min. insulation resistance [MΩ]	100; (500 V DC)	
Protection class	III	
Reverse polarity protection	yes	
Software / programming		
Parameter setting options	display, indication	
Interfaces		
Communication interface	IO-Link	
Transmission type	COM2 (38,4 kBaud); COM3 (230,4 kBaud)	
IO-Link revision	1.1	
SDCI standard	IEC 61131-9	
Profiles	Smart Sensor: Process Data Variable; Device Identification, Device Diagnosis	
SIO mode	no	
Required master port type	A	
Min. process cycle time [ms]	11.2	
Supported DeviceIDs	Type of operation	DeviceID
	Default	824

E30443



IO-Link display

IO-LINK MASTER DISPLAY 1,44

Operating conditions		
Ambient temperature	[°C]	0...60
Storage temperature	[°C]	-20...80
Protection		IP 65; IP 67
Tests / approvals		
EMC	DIN EN 61000-6-2	
	DIN EN 61000-6-4	
Shock resistance	DIN EN 60068-2-27	5 g (11 ms)
Vibration resistance	DIN EN 60068-2-6	5 g (10...50 Hz)
MTTF	[years]	398
Mechanical data		
Weight	[g]	171.5
Materials		stainless steel (1.4404 / 316L); PC; PBT-GF30; PPS; FKM;
Displays / operating elements		
Display		colour display 1,44", 128 x 128 pixels 2 x LED, yellow
Remarks		
Pack quantity		1 pcs.
Electrical connection - plug		
Connector: 1 x M12; Contacts: gold-plated		
		

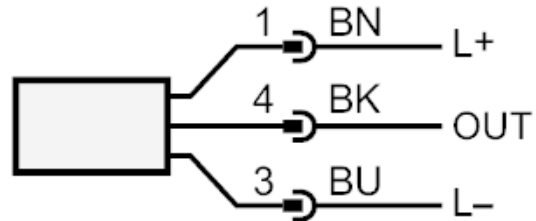
E30443



IO-Link display

IO-LINK MASTER DISPLAY 1,44

Connection



colours to DIN EN 60947-5-2

Core colours :

BK = black
BN = brown
BU = blue