

# E33002



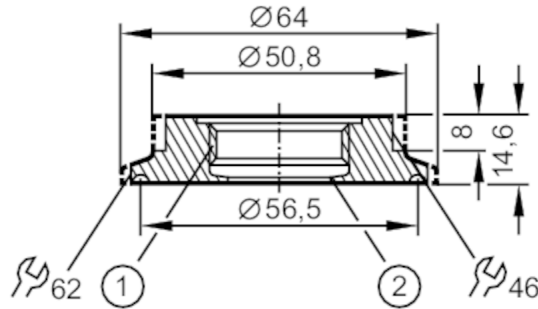
## Process adapter Tri-Clamp

ADAPT IFM-CLAMP ISO2852 / 2

Article no longer available - archive entry

Alternative articles: E33702

When selecting an alternative article and accessories please note that technical data may differ!



- 1 Aseptoflex thread
- 2 Aseptoflex sealing edge

EC 1935/2004 FCM FDA

### Application

Pressure rating [bar] 16

### Tests / approvals

Pressure Equipment Directive

A possible classification to PED depends on the application and has to be carried out by the user / operator.

Safety instructions

The compatibility between medium and product material has to be checked in all applications.

### Mechanical data

Weight [g] 238.5

Materials stainless steel (1.4404 / 316L)

Sensor connection Aseptoflex

Process connection Clamp DN50 (2") DIN 32676 (ISO 2852)

Surface characteristics Ra/Rz of the wetted parts 0.4 / 4

Hygienic equipment class to DIN 11866 H4

### Remarks

Pack quantity 1 pcs.