

E33009



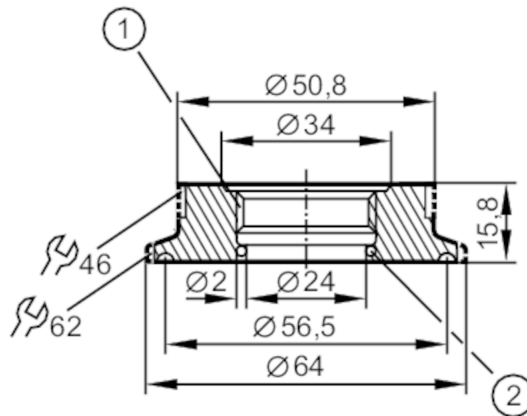
Process adapter Tri-Clamp

ADA IFM-CLAMP ISO2852/2 O-RG

Article no longer available - archive entry

Alternative articles: E33202

When selecting an alternative article and accessories please note that technical data may differ!



- 1 Aseptoflex thread
- 2 O-ring 24 x 2 FPM 80SH



EC 1935/2004 FDA

Application	
Installation	with O-ring
Pressure rating [bar]	16
Tests / approvals	
Pressure Equipment Directive	A possible classification to PED depends on the application and has to be carried out by the user / operator.
Safety instructions	The compatibility between medium and product material has to be checked in all applications.
Mechanical data	
Weight [g]	247.5
Type of mounting	with O-ring
Materials	stainless steel (1.4404 / 316L); O-ring: EPDM
Sensor connection	Aseptoflex
Process connection	Clamp DN50 (2") DIN 32676 (ISO 2852)
Surface characteristics Ra/Rz of the wetted parts	0.4 / 4
Hygienic equipment class to DIN 11866	H4
Accessories	
Accessories (optional)	O-rings: 5, EPDM, E30054 O-rings: 5, FPM (Viton), E30053
Remarks	
Pack quantity	1 pcs.