

# E33012



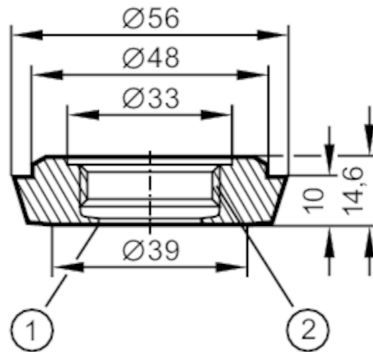
## Process adapter hygienic pipe fitting

ADA IFM-DIN11851/DN40 (1.5)

Article no longer available - archive entry

Alternative articles: E33712

When selecting an alternative article and accessories please note that technical data may differ!



- 1 Aseptoflex thread
- 2 Aseptoflex sealing edge

EC 1935/2004 FCM FDA

### Application

Pressure rating [bar] 40

### Tests / approvals

Pressure Equipment Directive

A possible classification to PED depends on the application and has to be carried out by the user / operator.

Safety instructions

The compatibility between medium and product material has to be checked in all applications.

### Mechanical data

Weight [g] 215

Materials stainless steel (1.4404 / 316L)

Sensor connection Aseptoflex

Process connection hygienic pipe fitting DN40 (1,5") DIN 11851

Surface characteristics Ra/Rz of the wetted parts 0.4 / 4

Hygienic equipment class to DIN 11866 H4

### Remarks

Pack quantity 1 pcs.