

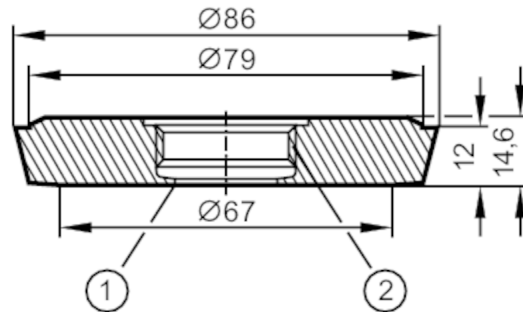
E33014



Process adapter hygienic pipe fitting

ADAPT IFM-DIN11851/DN65(2.5)

Article no longer available - archive entry



- 1 Aseptoflex thread
- 2 Aseptoflex sealing edge

EC 1935/2004 FCM FDA

Application

Pressure rating [bar] 25

Tests / approvals

Pressure Equipment Directive A possible classification to PED depends on the application and has to be carried out by the user / operator.

Safety instructions The compatibility between medium and product material has to be checked in all applications.

Mechanical data

Weight [g] 581

Materials stainless steel (1.4404 / 316L)

Sensor connection Aseptoflex

Process connection hygienic pipe fitting DN65 (2,5") DIN 11851

Surface characteristics Ra/Rz of the wetted parts 0.4 / 4

Hygienic equipment class to DIN 11866 H4

Remarks

Pack quantity 1 pcs.