

E33022



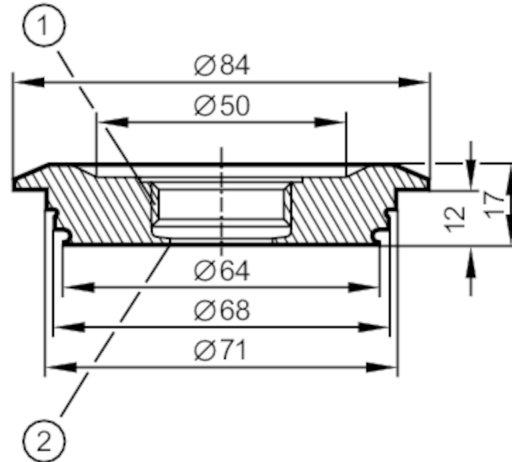
Process adapter Varivent

ADA IFM-VARIV D=68(DN40-125)

Article no longer available - archive entry

Alternative articles: E33722

When selecting an alternative article and accessories please note that technical data may differ!



- 1 Aseptoflex thread
- 2 Aseptoflex sealing edge

EC 1935/2004 EHEDG Certified FCM FDA

Application	
Pressure rating	[bar] 25
Tests / approvals	
Pressure Equipment Directive	A possible classification to PED depends on the application and has to be carried out by the user / operator.
Safety instructions	The compatibility between medium and product material has to be checked in all applications.
Mechanical data	
Weight	[g] 475.5
Materials	stainless steel (1.4404 / 316L)
Sensor connection	Aseptoflex
Process connection	Varivent Form N, DN40...DN150 (1,5...6"), Ø 68 mm
Surface characteristics Ra/Rz of the wetted parts	0.4 / 4
Hygienic equipment class to DIN 11866	H4
Remarks	
Pack quantity	1 pcs.