

E33031



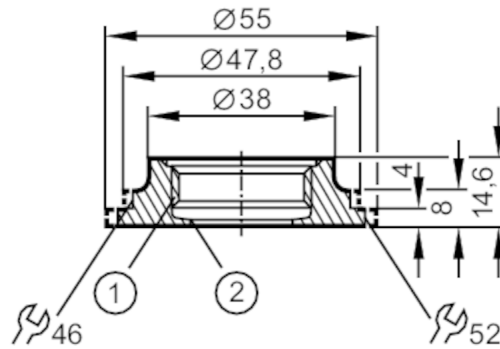
Process adapter for SMS pipe fitting

ADAPT IFM-SMS DN40 (1.5)

Article no longer available - archive entry

Alternative articles: E33731

When selecting an alternative article and accessories please note that technical data may differ!



- 1 Aseptoflex thread
- 2 Aseptoflex sealing edge

EC 1935/2004 FCM FDA

Application

Pressure rating [bar] 40

Tests / approvals

Pressure Equipment Directive

A possible classification to PED depends on the application and has to be carried out by the user / operator.

Safety instructions

The compatibility between medium and product material has to be checked in all applications.

Mechanical data

Weight [g] 167.5

Materials stainless steel (1.4404 / 316L)

Sensor connection Aseptoflex

Process connection SMS pipe fitting DN40 (1,5")

Surface characteristics Ra/Rz of the wetted parts 0.4 / 4

Hygienic equipment class to DIN 11866 H4

Remarks

Pack quantity 1 pcs.