

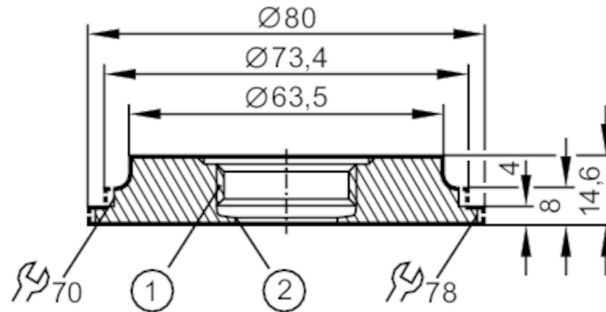
# E33033



## Process adapter for SMS pipe fitting

ADAPT IFM-SMS DN65 (2.5)

discontinued article



- 1 Aseptoflex thread
- 2 Aseptoflex sealing edge

EC 1935/2004 

### Application

Pressure rating [bar] 25

### Mechanical data

Weight [g] 413.6

Materials stainless steel (1.4404 / 316L)

Sensor connection Aseptoflex

Process connection SMS pipe fitting DN65 (2,5")

Surface characteristics Ra/Rz of the wetted parts 0.4 / 4

Hygienic equipment class to DIN 11866 H4

### Remarks

Pack quantity 1 pcs.