

E33042



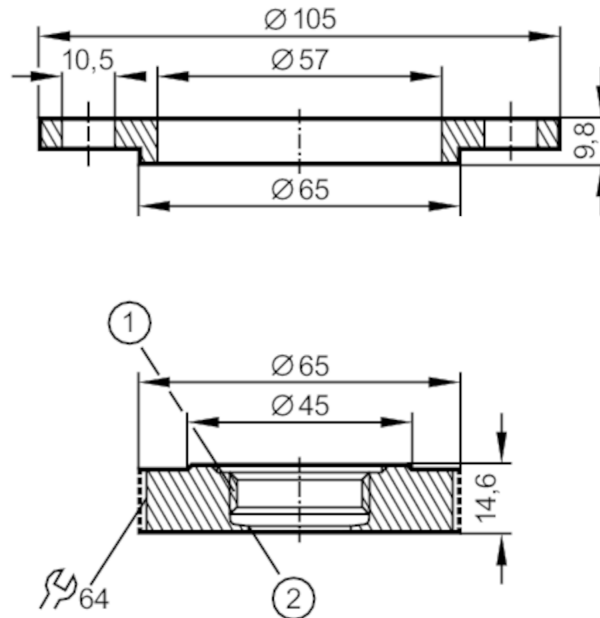
Process adapter with flange plate

ADAPT IFM-DRD D=65

Article no longer available - archive entry

Alternative articles: E33242

When selecting an alternative article and accessories please note that technical data may differ!



- 1 Aseptoflex thread
- 2 Aseptoflex sealing edge

EC 1935/2004 FCM FDA

Application

Pressure rating [bar] 25

Tests / approvals

Pressure Equipment Directive A possible classification to PED depends on the application and has to be carried out by the user / operator.

Safety instructions The compatibility between medium and product material has to be checked in all applications.

Mechanical data

Weight [g]	626.5
Materials	stainless steel (1.4404 / 316L)
Sensor connection	Aseptoflex
Process connection	DRD-Flansch Ø 65 mm
Surface characteristics Ra/Rz of the wetted parts	0.4 / 4
Hygienic equipment class to DIN 11866	H4

Remarks

Pack quantity 1 pcs.