

# E33102



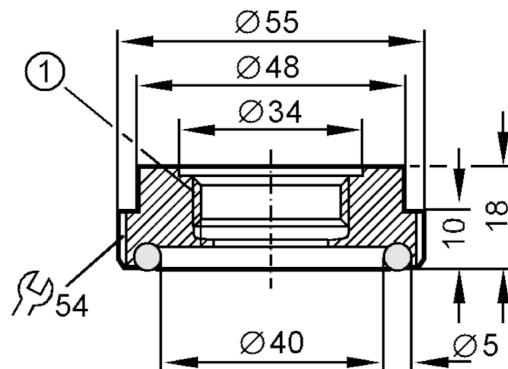
## Process adapter pipe fitting DIN 11864

ADAPT IFM-DIN11864-1A / DN40

Article no longer available - archive entry

Alternative articles: E33302

When selecting an alternative article and accessories please note that technical data may differ!



1 Aseptoflex thread

EC 1935/2004 

Application	
Pressure rating	[bar] 25
Tests / approvals	
Pressure Equipment Directive	A possible classification to PED depends on the application and has to be carried out by the user / operator.
Safety instructions	The compatibility between medium and product material has to be checked in all applications.
Mechanical data	
Weight	[g] 224.5
Materials	stainless steel (1.4404 / 316L); O-ring: EPDM
Sensor connection	Aseptoflex
Process connection	Pipe fitting DN40 DIN 11864-1-A-BS
Surface characteristics Ra/Rz of the wetted parts	0.4 / 4
Hygienic equipment class to DIN 11866	H4
Remarks	
Pack quantity	1 pcs.