

E33123



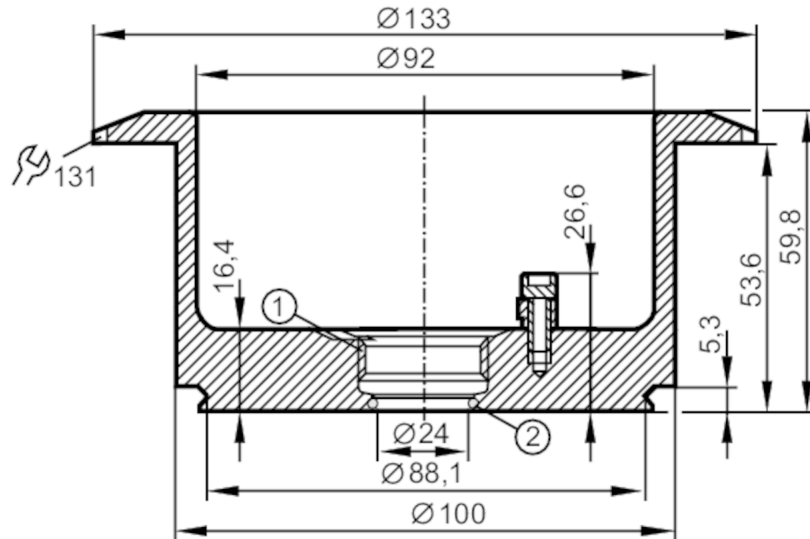
Mounting adapter for process sensors

ADAPT IFM-TANK SPUD SEAL

Article no longer available - archive entry

Alternative articles: E33434

When selecting an alternative article and accessories please note that technical data may differ!



- 1 Aseptoflex thread
- 2 sealings

EC 1935/2004 

Application

Installation	with O-ring
Pressure rating [bar]	34

Tests / approvals

Pressure Equipment Directive	A possible classification to PED depends on the application and has to be carried out by the user / operator.
Safety instructions	The compatibility between medium and product material has to be checked in all applications.

Mechanical data

Weight [g]	1594
Type of mounting	with O-ring
Materials	stainless steel (1.4404 / 316L); O-ring: EPDM
Sensor connection	Aseptoflex
Process connection	Tank Spud
Surface characteristics Ra/Rz of the wetted parts	0.4 / 4
Hygienic equipment class to DIN 11866	H4

Accessories

Accessories (optional)	O-rings: 5, EPDM, E30054 O-rings: 5, FPM (Viton), E30053
------------------------	---

E33123



Mounting adapter for process sensors

ADAPT IFM-TANK SPUD SEAL

Remarks

Pack quantity

1 pcs.