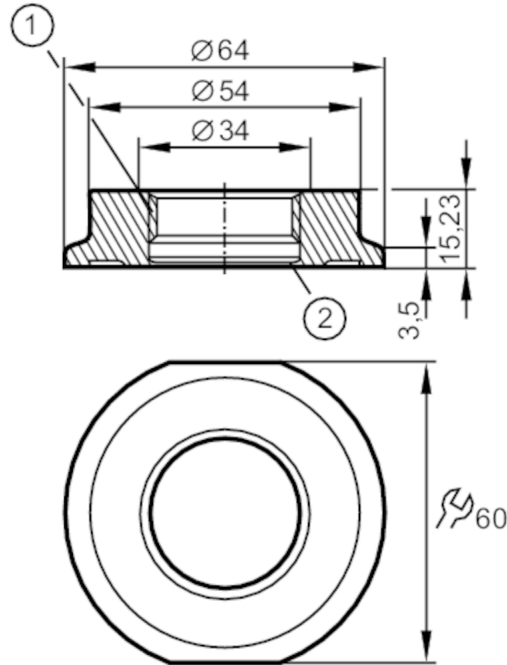




Process adapter DIN 11864

ADA IFM-DIN11864-BKS-3A/DN42,4

Article no longer available - archive entry



- 1 Aseptoflex thread
- 2 Aseptoflex sealing edge

EC 1935/2004

Application	
Installation	for ISO pipes (series B)
Pressure rating [bar]	25
Tests / approvals	
Pressure Equipment Directive	A possible classification to PED depends on the application and has to be carried out by the user / operator.
Safety instructions	The compatibility between medium and product material has to be checked in all applications.
Mechanical data	
Weight [g]	259
Type of mounting	for ISO pipes (series B)
Materials	stainless steel (1.4435 / 316L)
Sensor connection	Aseptoflex
Process connection	Clamp DN42,2 DIN 11864-3-A-BKS
Surface characteristics Ra/Rz of the wetted parts	0.4 / 4
Hygienic equipment class to DIN 11866	H4
Remarks	
Pack quantity	1 pcs.