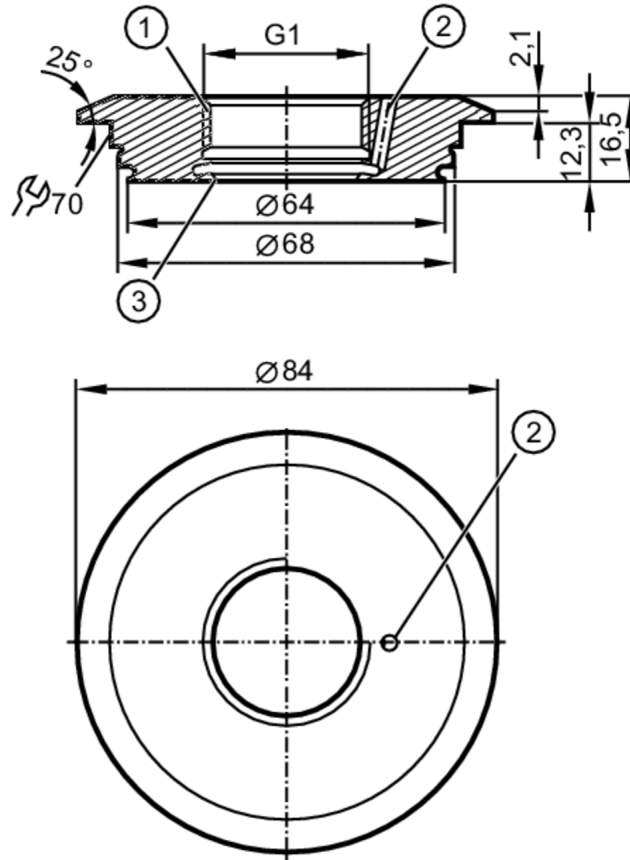




## Process adapter Varivent

ADAPT IFM-VARIV TYP N (D=68)3A



- 1 Aseptoflex Vario
- 2 Leakage port
- 3 sealing area



EC 1935/2004 EHEDG Certified FDA

### Application

|                       |                   |
|-----------------------|-------------------|
| Design                | with leakage port |
| Pressure rating [bar] | 25                |

### Tests / approvals

|                              |   |
|------------------------------|---|
| Pressure Equipment Directive | A possible classification to PED depends on the application and has to be carried out by the user / operator. |
| Safety instructions          | The compatibility between medium and product material has to be checked in all applications.                  |

### Mechanical data

|                                       |   |
|---------------------------------------|---|
| Weight [g]                            | 471   |
| Materials (wetted parts)              | stainless steel (1.4435 / 316L) ; surface characteristics : Ra<0,4 / Rz 4 |
| Sensor connection                     | G 1 Aseptoflex Vario  |
| Process connection                    | Varivent Form N, DN40...DN150 (1,5...6"), Ø 68 mm                         |
| Sealing                               | Gasket  |
| Hygienic equipment class to DIN 11866 | H4  |

# E33229



## Process adapter Varivent

ADAPT IFM-VARIV TYP N (D=68)3A

| Accessories            |   |
|------------------------|---|
| Items supplied         | O-ring: 1 x 24 x 2, EPDM, FDA compliant, E30054 |
| Accessories (optional) | O-ring: 1 x 24 x 2, FKM, FDA compliant, E30123  |
|                        | sealing ring: 1, PEEK, FDA compliant, E30124    |
| Remarks                |   |
| Pack quantity          | 1 pcs.  |