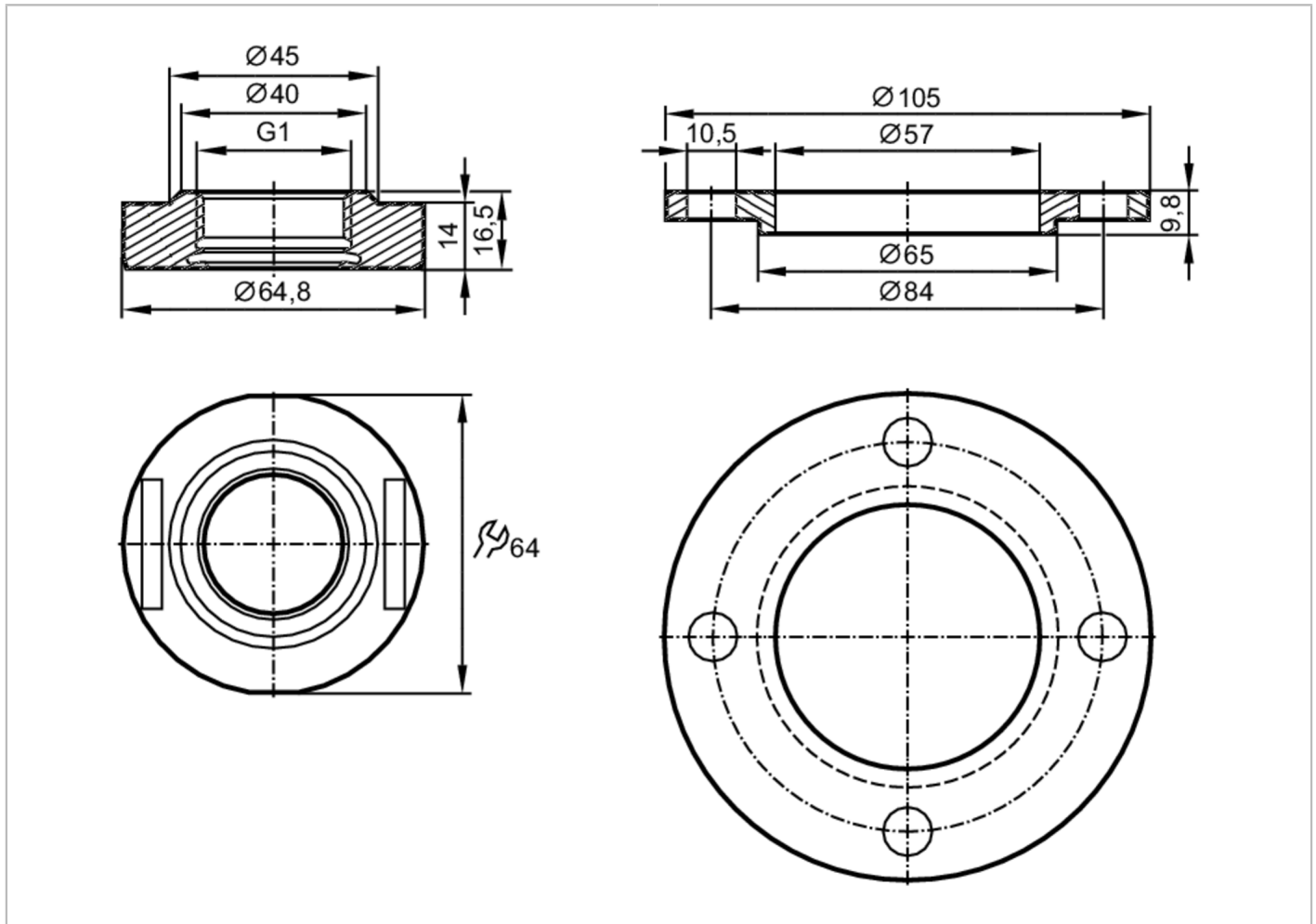


E33242



Process adapter with flange plate DRD

ADAPT IFM-DRD D=65



EC 1935/2004

Application

Pressure rating [bar] 25

Tests / approvals

Pressure Equipment Directive

A possible classification to PED depends on the application and has to be carried out by the user / operator.

Safety instructions

The compatibility between medium and product material has to be checked in all applications.

Mechanical data

Weight [g] 615

Materials (wetted parts) stainless steel (1.4435 / 316L) ; surface characteristics : Ra<0,4 / Rz 4

Sensor connection G 1 Aseptoflex Vario

Process connection DRD-Flansch Ø 65 mm

Sealing Gasket

Hygienic equipment class to DIN 11866 H4

E33242



Process adapter with flange plate DRD

ADAPT IFM-DRD D=65

| Accessories | |
|------------------------|---|
| Items supplied | O-ring: 1 x 24 x 2, EPDM, FDA compliant, E30054 |
| Accessories (optional) | O-ring: 1 x 24 x 2, FKM, FDA compliant, E30123 |
| | sealing ring: 1, PEEK, FDA compliant, E30124 |
| Remarks | |
| Pack quantity | 1 pcs. |